

NAUSICAA Medical Medical Device Manufacturer

- STAND-UP LIFTS
- STAND-UP LIFTS SLINGS
- PATIENT LIFTS
- PATIENT LIFTS SLINGS
- MANUAL HANDLING
- BEDS & PRESSURE CARE SYSTEMS
- PATIENT POSITIONING



N



Founded in 1993 by Pierre-Henri CHAUZAT and established in Southern France, NAUSICAA Medical is a manufacturer of «Made in France» high quality products for geriatrics, disability, rehabilitation, re-education and palliative care

We are internationally recognized as a specialist for stand-up lifts, patient lifts, hoists slings and positioning articles with our unique manufacturing know-how.

We are based in 3 complementary buildings which allow us to have an important production and storage capacity in order to meet the demand for our products in our local market in France and in our developing markets overseas.

To ensure that our product offering perfectly meets patient needs, our experienced team has been working closely with healthcare professionals for more than 25 years.

Each year, we strive to make innovative devices and will continue an important investment in our R&D department to achieve our goals.



More than
1500 active
customers in
France and
overseas



A team of 70
employees



5 exhibitions
per year

N

CONTENTS

1 PRESENTATION



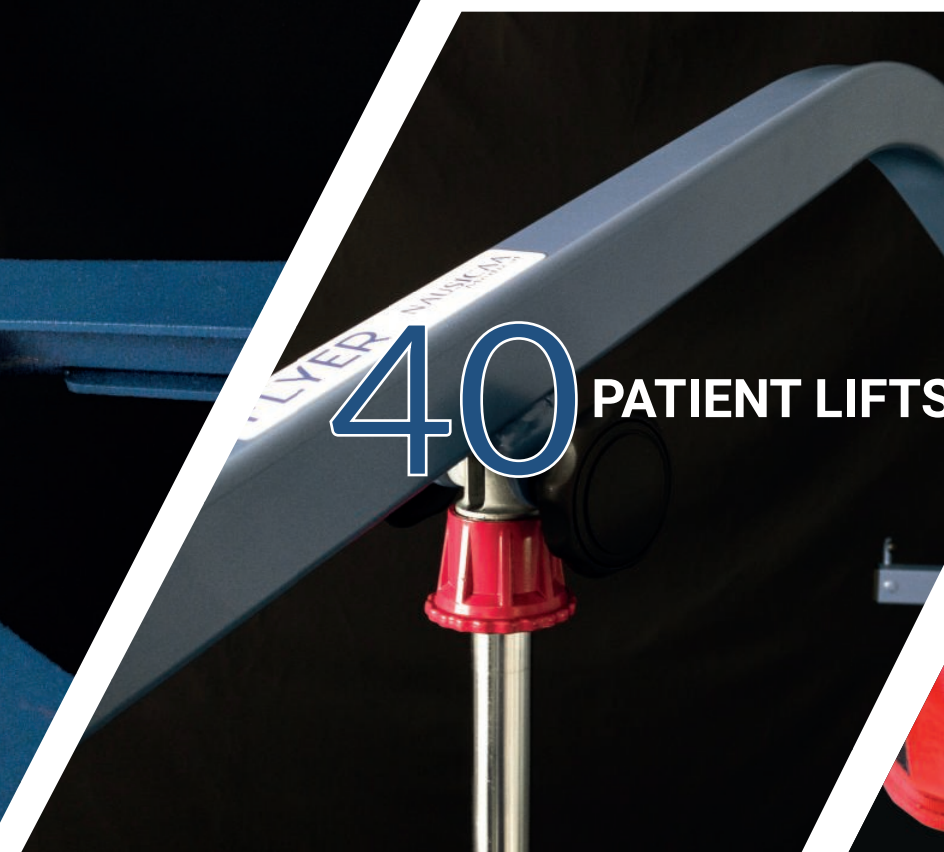
10 STAND-UP LIFTS



36 STAND SLINGS



40 PATIENT LIFTS



2021

ND-UP LIFTS
GS

62 PATIENT LIFTS
SLINGS

78 BEDS & PRESSURE
CARE SYSTEMS

74 MANUAL
HANDLING

94 PATIENT
POSITIONING



MADE IN FRANCE



OUR VISION

“Made in France” manufacturing is the main focus of NAUSICAA Medical’s strategy through our unique expertise which fully contributes to the quality of our products.

We are able to guarantee the origin and traceability of a product along with the trust, flexibility, and transparency required in the medical sector.

Our production is conducted according to the highest European standards of quality control using a zero-defect policy under the supervision of our highly qualified and experienced staff.

7 300
Hoists

Assembled
per year

8 750
Air Mattresses

Sold
per year

29 300
Slings

Produced
per year

33 400
Belts

Manufactured
per year

R&D DEPARTMENT

Product development is user-centric and is the key of our strategic vision with our own R&D department which uses sophisticated CAD and CAE softwares to design our devices.

Continuously, our team analyzes our devices with optimized testing facilities according to the most advanced quality standards in order to keep improving our most valuable assets: our products.

On a daily basis, we conduct activities to improve the quality of our manufacturing and to produce new devices each year as innovation is a major element of our growth and development.

49

models in
less than 10
years

105

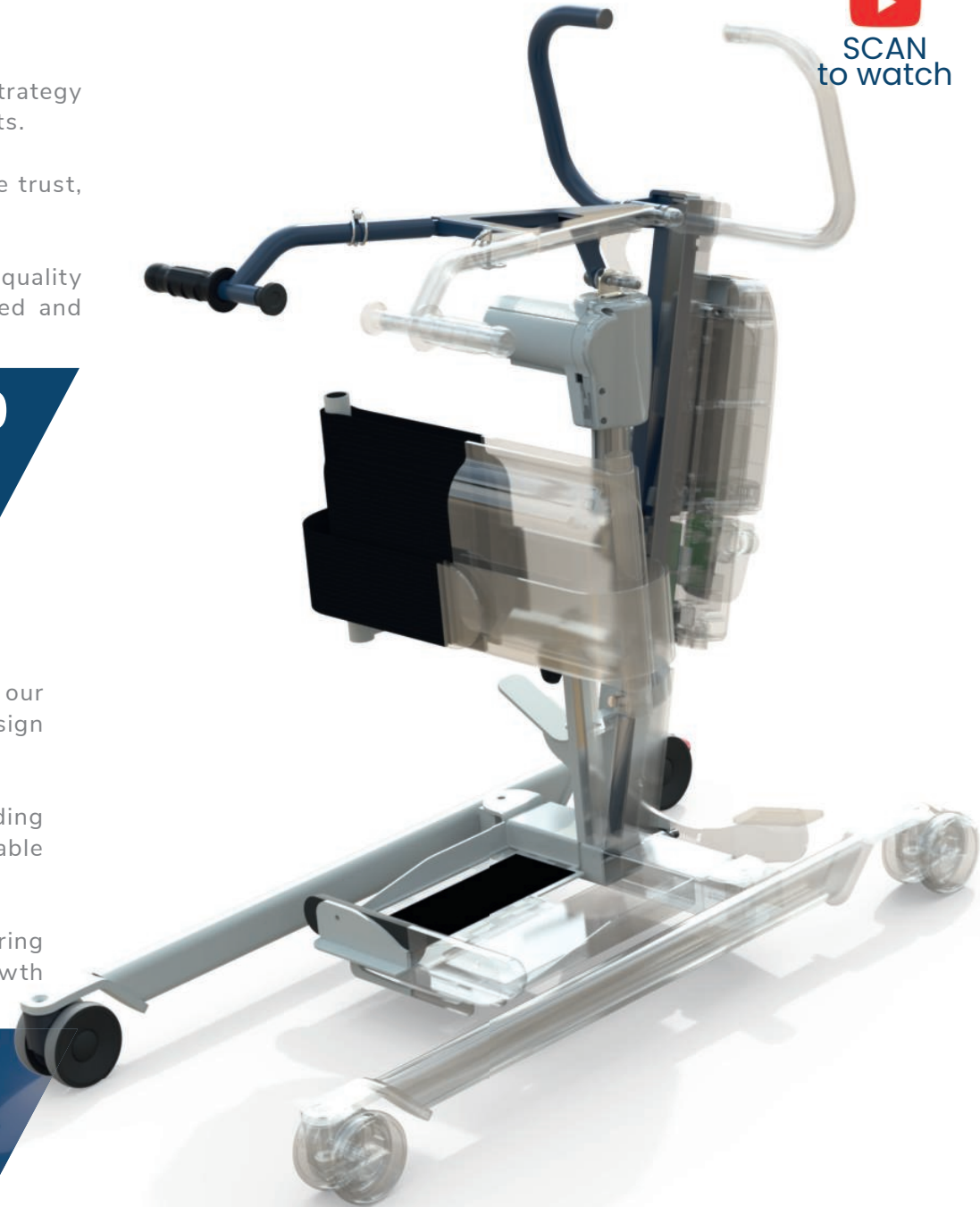
Different
validation
tests

2 730

Hours of CAO
and FE
simulations

11 000

Up and down
tests at max
load for each
product



INTERNATIONAL NETWORK



NAUSICAA Medical's export service has been a huge asset of the company over the last few years through its continuous development.

Our aim is to give to our customers clear information on the origin and traceability, that's why we only export the products that we design and/or manufacture ourselves.

As of now, we operate a network of more than 50 active distributors in more than 30 countries:



Argentina		Croatia		Iran		Lithuania		Pakistan		Saudi Arabia	
Austria		Estonia		Ireland		Luxembourg		Peru		Spain	
Belgium		Finland		Israel		Malaysia		Poland		Switzerland	
Chile		Germany		Italy		Malta		Portugal		Thailand	
China		Hong-Kong		Latvia		Morocco		Qatar		United Arab Emirates	
Costa Rica		India		Lebanon		Netherlands		Romania		United Kingdom	



REGULATORY AFFAIRS

In order to help us implement procedures to ensure the safety and quality of our products, we apply European directives and are certified by world leading independent inspection organization.

Our 3 sites are certified ISO 13485:2016 by BUREAU VERITAS, a global leader in Testing, Inspection and Certification.

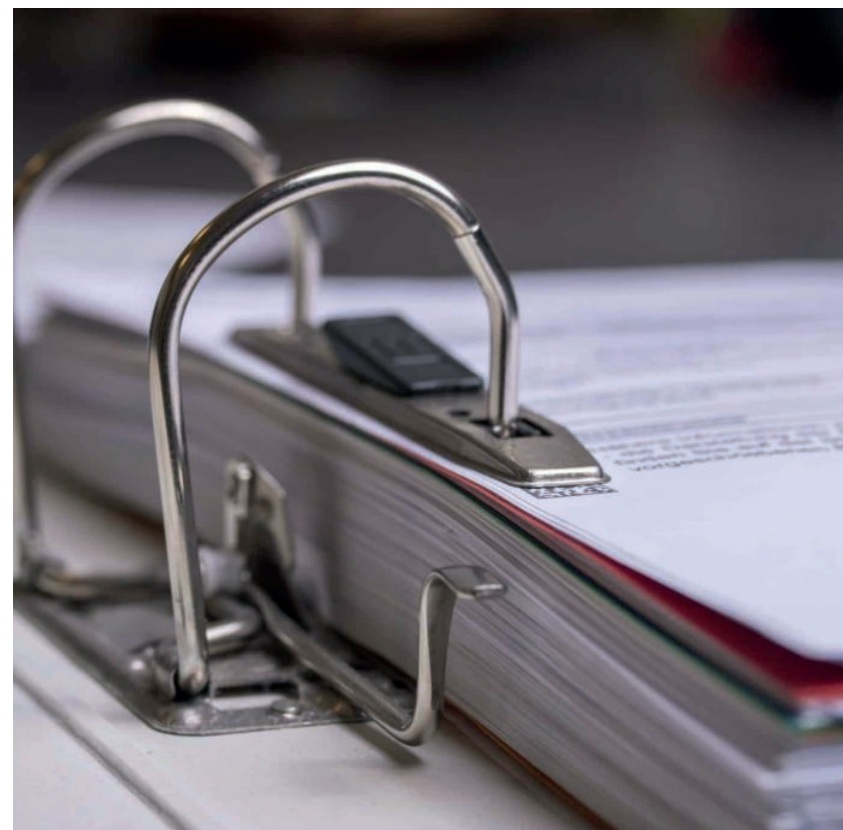
Based on ISO 9001, ISO 13485:2016 specifies requirements for a quality management system where an organization needs to demonstrate its ability to provide medical devices and related services that consistently meet customer and applicable regulatory requirements.

All our Class 1 Medical Devices are CE marked, fulfilling the essential requirements of European Directive 93/42/EC on medical devices as amended by European Directive 2007/47/EC.

The new Medical Devices Regulation (2017/745/EU) brings EU legislation into line with technical advances, changes in medical science, and progress in law making, which we will fully apply at NAUSICAA Medical.

It creates a robust, transparent, and sustainable regulatory framework, recognized internationally, that improves clinical safety and creates fair market access for manufacturers.

The MDR will replace the existing Medical Devices Directive (93/42/EEC) in 2021 and was published in May 2017, marking the start of a four-year period of transition.



EXHIBITIONS



Each year, NAUSICAA Medical is very proud to participate in the following exhibitions in order to meet our customers, showcase our new products and seek new partnership opportunities.

MEDICA

MEDICA is the largest medical exhibition in the world and illustrates both the current developments and a look at the future of the medical care.

Located in Dusseldorf, Germany, it attracts more than 5 100 exhibitors from 70 countries in 17 halls, with 123 000 trade visitors from over 130 countries,

AUTONOMIC

Taking place in 8 different cities, geographically covering France and bringing together more than 100,000 cumulative visitors, the AUTONOMIC trade fairs are the reference for players in the disability and homecare sectors.



@ INTERNET

WEBSITE

The continuous improvements of our website are a main part of NAUSICAA Medical's worldwide communication vision.

Its new intelligent search engine on the home page allows you to immediately find the product you are looking for among the hundreds of references currently offered on the website.

Do you know the name of the product? The reference? What type of product are you looking for? The engine adapts by instantly offering you a wide choice of proposals that match with the characters you entered.

In a context of global technology change, our website is now totally mobile phone compliant.

Need documentations?

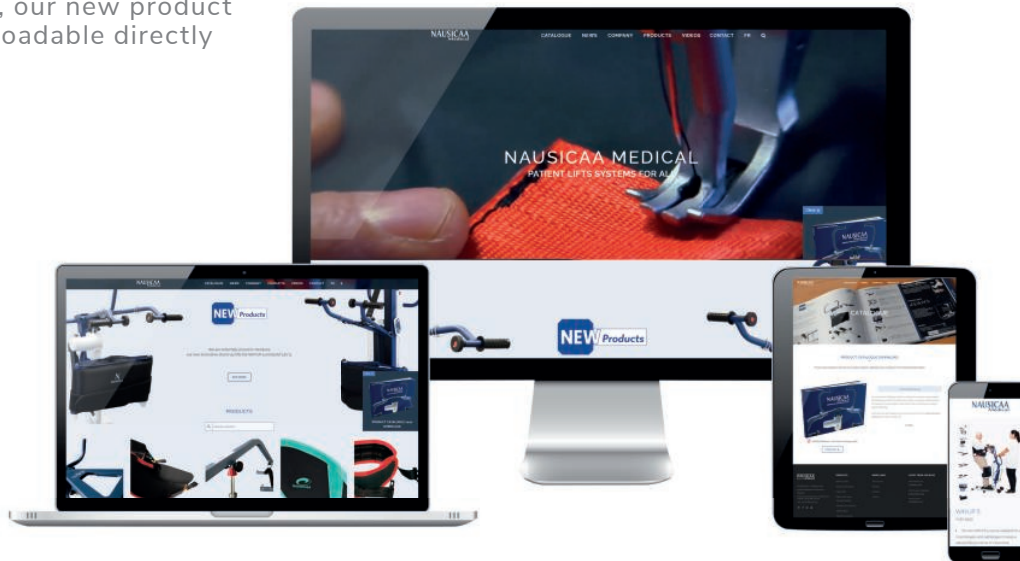
Our internet platform is a clever solution to quickly find detailed information on all our products complemented by a quick download of all related files (marketing brochures, CE certificates, product sheets, user manuals, spare parts exploded views).

Need demonstration videos?

You will find updated videos on each product page made in partnership with occupational therapists on the use of our products.

Need a numeric version of the catalogue?

If you need a pdf version, our new product catalogue is easily downloadable directly from the website.



YOUTUBE

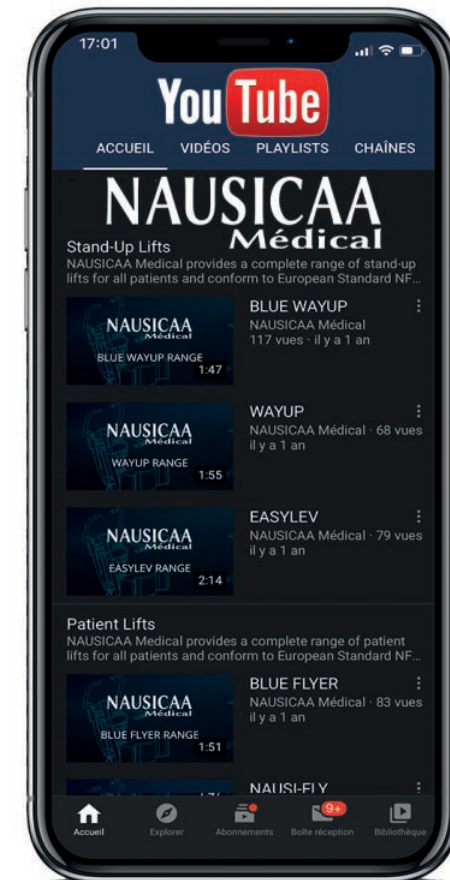
NAUSICAA Medical offers Youtube demonstrations video to inform you about our products.

Each year, our marketing team regularly updates our YouTube channel in partnership with occupational therapists with short demonstrations videos on several ranges of our products.

100
Videos
Available
on line

7 000
Views
Each month

300 000
Views
Since its
creation



SCAN
to watch



SEMI-ACTIVE TRANSFER

The patient can lay both feet flat and has good bust support in order to be transferred in a motorized system while being actively stimulated.

Pages 10 & 24



SEMI-PASSIVE TRANSFER

The patient can lay both feet flat and does not have a good bust support but can still be transferred in a motorized system while being stimulated.

Pages 18 & 30



PASSIVE TRANSFER

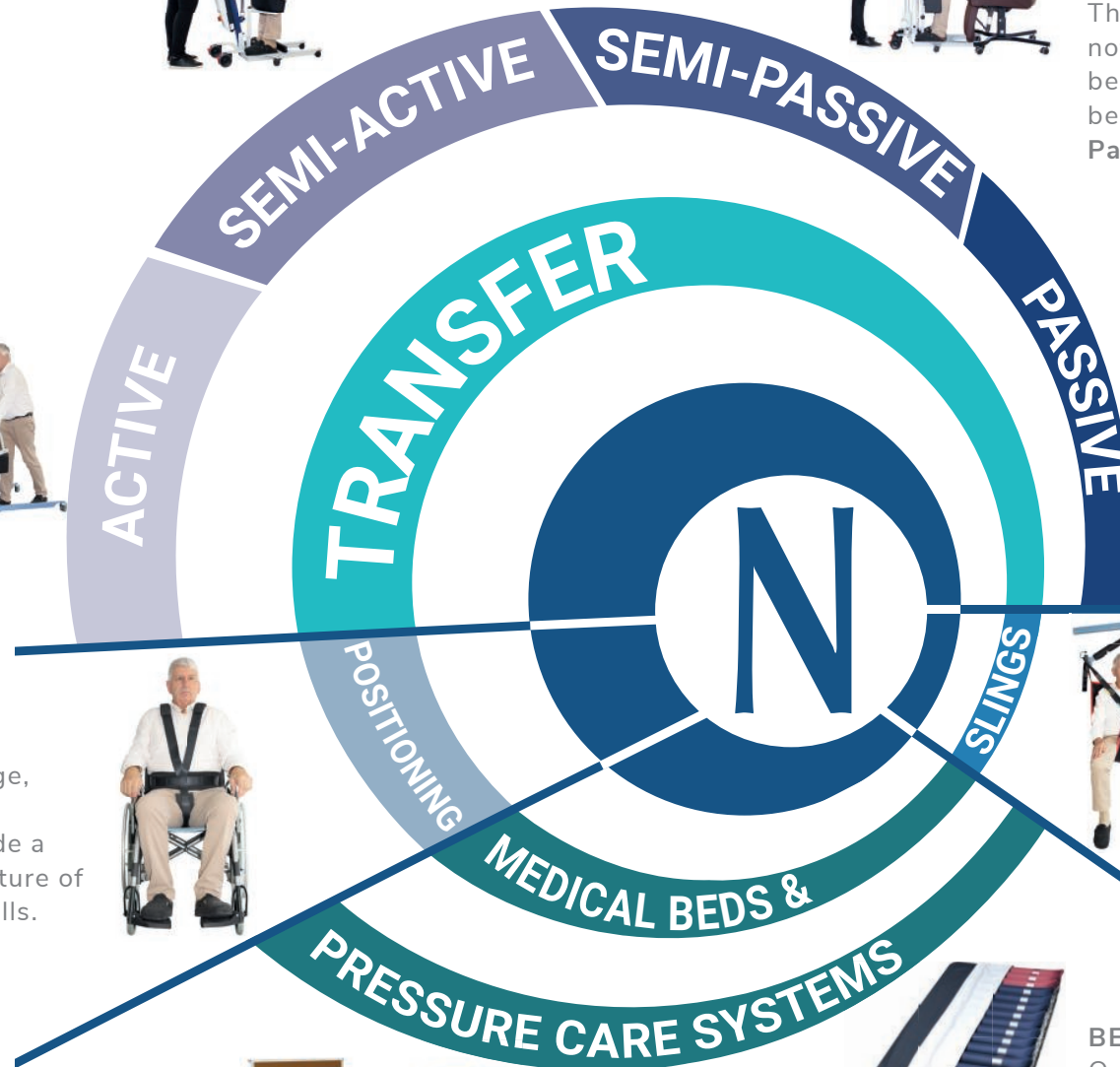
The patient can not lay both feet flat and can only be transferred in a passive way through the use of a patient lift.

Page 40

ACTIVE TRANSFER :

This is a transfer without a motorized system, it must be a safe and comfortable help for the patient and the caregiver as the patient just needs to be accompanied.

Page 76



PATIENT POSITIONING

Our Patient Positioning range, through its different belts available, is aiming to provide a comfortable and secure posture of patients while preventing falls.

Page 96



SLINGS

As a textile expert, we provide a complete range of patient lifts and stand-up lifts slings for all patients.

Pages 36 & 62



BEDS & PRESSURE CARE SYSTEMS

Our complete range of Beds & Pressure Care Systems (pumps and air mattresses) is focusing on safety and on anti-decubitus prevention.

Page 78



STAND-UP LIFTS

Presentation

All our stand-up lifts are compliant to European Standard NF EN ISO 10535:2007.

Why use a Stand-up lift?

Stand-up lifts are very useful to allow patients to be raised up from a bed, a comfort chair, a toilet seat, or a wheelchair for safe transfers in a fast, safe and efficient manner.

They allow a single caregiver to lift a patient with minimum effort in order to devote more attention for encouraging the patient's active participation in the transfer routine.

According to the patient individual abilities, it permits a more active patient mobilization.

For whom?

Stand-up lifts are ideal for patients whose mobility is reduced and have difficulty getting up into a standing position.

It encourages patients' mobility and promotes dignity during the lifting process.

Qualified as a "semi-active transfer" as the patient needs to participate during the transfer and maintain some stimulus (in at least one of the two legs).

When their mobility is preserved, patients in home or in care environments gain significant physical and psychological benefits.

What you need to know before choosing?

Selecting the right device is essential for maintaining mobility as the use of adapted equipment reduces the risk of injury, both for the patient and for the caregiver.



Warranty



Certified



Quality



Lithium Battery Available



SCAN ME
to view all
devices

OVERVIEW



WAYUP 5
RANGE

12



EASYLEV 5
RANGE

18



BLUE WAYUP
RANGE

24



BLUE EASYLEV
RANGE

29

WAYUP 5 RANGE PRESENTATION



DESIGNED TO BE THE MOST EFFICIENT AND COMPACT STAND-UP LIFT ON THE MARKET

With its specific movement in one quick motion, the WAYUP 5 range is our best-seller for several years due to its exceptional compactness and unique efficiency.

Thanks to its fast lifting patented movement, the WAYUP 5 range allows the patient to reach a standing position while respecting the natural lifting scheme.

During a transfer, the device allows the patient to reach a standing position by activating the bust tonicity while supporting the lack of tonicity in the lower body.

Very compact, fast and easy to use, the WAYUP 5 range is declined in 2 different models:

- Fixed base (page 14)
- Mechanical or Electrical opening legs (page 15)

An XL version for bariatric patients is also available which includes the features of the WAYUP 4 (page 16).



LITHIUM BATTERY

As an option, a lithium battery is available to enhance the use of the device.

NAUSICAA
Medical
WAYUP RANGE

SCAN to watch



WAYUP 5

With Fixed Base



WAYUP 5

With Mechanical Opening Legs



WAYUP 5

With Electrical Opening Legs



WAYUP XL

With Electrical Opening Legs

WAYUP 5 RANGE KEY FEATURES



Equipped with new advanced functional key features.

These 2 new models are stronger than the WAYUP 4 as the maximum weight capacity has been increased to 180 kg.

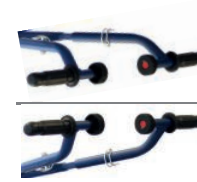
Because each patient is different, it can be adapted for all morphologies and pathologies to keep a natural lifting scheme of movement.

Their innovative extendable lifting arm can be adjusted to 6 different lengths positions for the best possible patient care as it optimizes the sling's position.

With new rear double castors and a larger lifting arm, all these new models have a better maneuverability.



01 An innovative expandable lifting arm in 2 parts which can be adjusted to 3 different lengths positions to adapt to each patient's morphology for the best possible care.



02 In addition, the lifting arm is also reversible to allow 2 different heights configurations to optimize the sling position:
- on the lumbar region to operate a semi-active transfer
- under the armpits to operate a semi-passive transfer



03 A made in our textile workshop ergonomic knee block manufactured with fabric and foam to protect vulnerable knees.



04 Equipped with a calf-strap as standard to secure the legs.



05 A comfortable lined with foam removable heel pad to easily position the patient feet before a transfer.



06 Lowered castors to achieve a 6,5 cm height to gain access to electrical wheelchairs with very low bases.

WAYUP 5

With Fixed Base

Made in France
CE
 WARRANTY 5 YEARS

800/1330 mm
 80 mm
 340/560 mm
 180 kg
 29 kg



KEY FEATURES



Innovative expandable lifting arm



Ergonomic knee block to protect vulnerable knees



Compact base adapted to toilet shape

PRESENTATION

Totally different than other devices on the market, our best-seller is specially optimized for confined spaces with its extreme compactness (56 cm base width) and its remarkably low toilet shape base (6,5 cm overall height). Its weight capacity has been increased to 180 kg.

OPTION



Lithium Battery for more efficiency:
 - up to 312 cycles
 - 2 years warranty

RECOMMENDED SLING

The Specific Sling (page 38)

Positioned on the lumbar region in order to trigger the patient's natural raising scheme, its rigid foam padding at the back-part level reduces painful pressure and its belt allows transfers in a sitting position.



REFERENCES	
With standard battery	WAYUP5-PF
With lithium battery	WAYUP5-LI-PF

WAYUP 5

With Mechanical or Electrical Opening Legs



KEY FEATURES



Innovating extendable lifting arms



Ergonomic knee block to protect vulnerable knees



Removable low footrest for tailored uses



Mechanical or electrical opening legs for better access

PRESENTATION

This mechanical or electrical opening legs version makes it easy to fit around armchairs or wheelchairs. Both models are perfectly adapted to efficiently perform a change of the patient's lower body and can be used as a walking aid by removing the foot platform.

- 2 opening base legs versions:
- Mechanical opening legs
 - Electrical opening legs

OPTION



Lithium Battery for more efficiency:
 - up to 312 cycles
 - 2 years warranty

REFERENCES

Mechanical Opening	With standard battery	WAYUP5ECP-M-PF
	With lithium battery	WAYUP5ECP-M-LI-PF
Electrical Opening	With standard battery	WP5ECP-E2-PF
	With lithium battery	WP5ECP-E2-LI-PF

RECOMMENDED SLING

The Specific Sling (page 38)



Positioned on the lumbar region in order to trigger the patient's natural raising scheme, its rigid foam padding at the back-part level reduces painful pressure and its belt allows transfers in a sitting position.

WAYUP XL

With Electrical Opening Legs

Made in France
CE
 WARRANTY 5 YEARS

920/1310 mm
 100 mm
 700/940 mm
 300 kg
 45 kg



KEY FEATURES



Electrical opening legs for ease of use



Specially designed foam shin block



Removable platform to use the device as a walking aid

PRESENTATION

The WAYUP is also available in XL version as a specialized model for bariatric patients up to 300 kg. Secure and extremely sturdy, it is designed to improve the daily lives of patients whose size and weight are challenging with its lifting power (10 000 N actuator).

OPTION



Lithium Battery for more efficiency:
 - up to 312 cycles
 - 2 years warranty

RECOMMENDED SLING

The Specific Sling (page 38)



Positioned on the lumbar region in order to trigger the patient's natural raising scheme, its rigid foam padding at the back-part level reduces painful pressure and its belt allows transfers in a sitting position.

REFERENCES

With standard battery	WAYUPXL-E-PF
With lithium battery	WAYUPXL-E-LI-PF

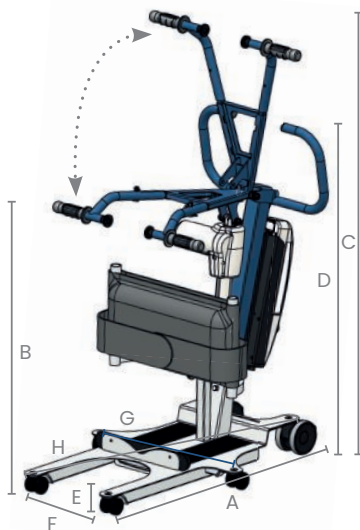
TECHNICAL DATA WAYUP 5 RANGE



WAYUP 5
Fixed Base

DIMENSIONS

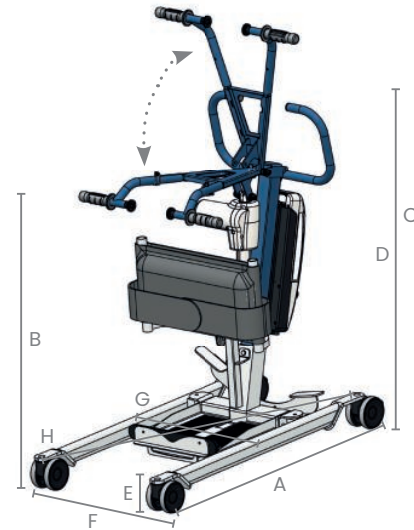
- A. Total length: 95 cm
- B. Minimum lifting height: 80 cm
- C. Maximum lifting height: 133 cm
- D. Total height: 100 cm
- E. Frame height: 6,5 cm
- F. Minimum base width: 24 cm
- G. Maximum base width: 56,5 cm
- H. Turning diameter: 94 cm



WAYUP 5
With Mechanical Opening Legs

DIMENSIONS

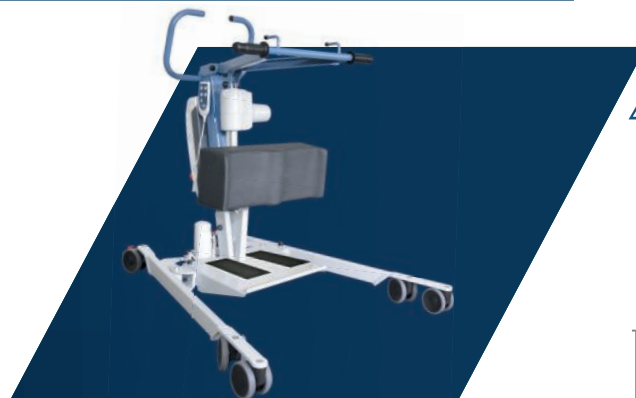
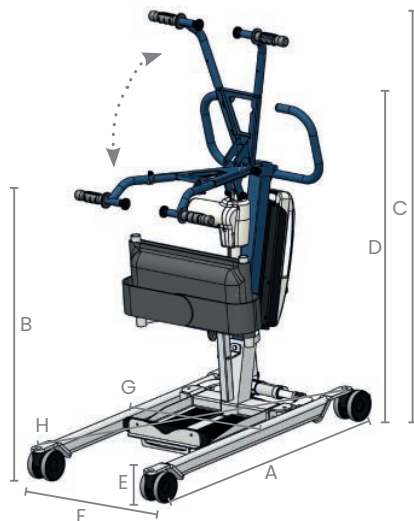
- A. Total length: 107 cm
- B. Minimum lifting height: 82 cm
- C. Maximum lifting height: 135 cm
- D. Total height: 106 cm
- E. Frame height: 11 cm
- F. Minimum base width: 54 cm
- G. Maximum base width: 90 cm
- H. Turning diameter: 110 cm



WAYUP 5
With Electrical Opening Legs

DIMENSIONS

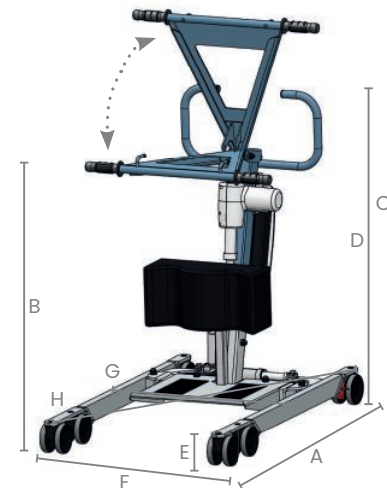
- A. Total length: 107 cm
- B. Minimum lifting height: 82 cm
- C. Maximum lifting height: 135 cm
- D. Total height: 106 cm
- E. Frame height: 11 cm
- F. Minimum base width: 54 cm
- G. Maximum base width: 100 cm
- H. Turning diameter: 110 cm



WAYUP XL
With Electrical Opening Legs

DIMENSIONS

- A. Total length: 107 cm
- B. Minimum lifting height: 92 cm
- C. Maximum lifting height: 131 cm
- D. Total height: 105 cm
- E. Frame height: 11 cm
- F. Minimum base width: 70 cm
- G. Maximum base width: 94 cm
- H. Turning diameter: 123 cm





EASYLEV 5 RANGE PRESENTATION

DESIGNED FOR HIGH QUALITY TRANSFERS

The EASYLEV 5 range is a high-end line of products which allows caregivers to provide high quality care in all environments.

Due to its ingenious patented combined movement between the telescopic mast and the traction sling, the EASYLEV 5 range allows the patient to reach a standing position with a smooth motion while supporting a very low tonicity of the patient's chest area.

Very comfortable, the EASYLEV 5 range is declined in 2 different models:
- Fixed base (page.20)
- Opening base legs: mechanical or electrical (page.21)

An XL version for bariatric patients is also available which includes the features of the EASYLEV 2 (page 22).



LITHIUM BATTERY

As an option, a lithium battery is available to enhance the use of the device.

NAUSICAA
Medical
EASYLEV RANGE



EASYLEV 5
With Fixed Base



EASYLEV 5
With Mechanical Opening Legs



EASYLEV 5
With Electrical Opening Legs



EASYLEV XL
With Electrical Opening Legs

EASYLEV 5 RANGE KEY FEATURES



Equipped with new advanced functional key features.

These 2 new models are stronger than the EASYLEV 2 as the maximum weight capacity has been increased to 180 kg.

Because each patient is different, it can be adapted for all morphologies and pathologies to keep a natural lifting scheme of movement.

Their innovative extendable lifting arm can be adjusted to 6 different lengths positions for the best possible patient care as it optimizes the sling's position.

With new rear double castors and a larger lifting arm, all these new models have a better maneuverability.



01 An innovative expandable lifting arm in 2 parts which can be adjusted to 3 different lengths positions to adapt to each patient's morphology for the best possible care.



02 In addition, the lifting arm is also reversible to allow 2 different heights configurations to optimize the sling position:
- on the lumbar region to operate a semi-active transfer
- under the armpits to operate a semi-passive transfer



03 A made in our textile workshop ergonomic knee block manufactured with fabric and foam to protect vulnerable knees.



04 Equipped with a calf-strap as standard to secure the legs.



05 A comfortable lined with foam removable heel pad to easily position the patient feet before a transfer.



06 Lowered castors to achieve a 6,5 cm height to gain access to electrical wheelchairs with very low bases.

EASYLEV 5

With Fixed Base

Made in France
CE
 WARRANTY 5 YEARS

720/1620 mm
 80 mm
 340/560 mm
 180 kg
 38 kg



KEY FEATURES



Traction belt for a combined movement increasing patient comfort



Innovating extendable lifting arms



Compact base adapted to toilet shape

PRESENTATION

In addition to its combined movement which is specifically adapted for patients with very low tonicity in the chest area, it is equipped with a special shape to be adapted to a standard toilet. It is also perfectly adapted to confined spaces with its remarkable low base (6,5 cm overall height) and its extraordinary compactness (56 cm base width).

OPTION



Lithium Battery for more efficiency:
 - up to 312 cycles
 - 2 years warranty

RECOMMENDED SLING

The Standard Sling (page 39)

Placed under the armpits, its full padding under the arms distributes traction on the patient thus avoiding painful pressure and supports the chest area.



REFERENCES	
With standard battery	EASYLEV5-PF
With lithium battery	EASYLEV5-LI-PF

EASYLEV 5

With Mechanical or Electrical Opening Legs

Made in France
CE
 WARRANTY 5 YEARS

750/1650 mm
 113 mm
 M: 540/900 mm
 E: 540/1000 mm
 180 kg
 42/44 kg



KEY FEATURES



Innovating extendable lifting arms



Ergonomic knee block to protect vulnerable knees



Removable low footrest for tailored uses



Mechanical or electrical opening legs for better access

PRESENTATION

This mechanical or electrical opening legs version makes it easy to fit around armchairs or wheelchairs. Specially designed for patients who have a very low tonicity in the chest area, they are both completely dedicated to a smooth comfortable standing-up process due to their specific combined movement.

- 2 opening base legs versions:
- Mechanical opening legs
 - Electrical opening legs

OPTION



Lithium Battery for more efficiency:
 - up to 312 cycles
 - 2 years warranty

REFERENCES

Mechanical Opening	With standard battery	EASYLEV5ECP-M-PF
	With lithium battery	EASYLEV5ECP-M-LI-PF
Electrical Opening	With standard battery	ESL5ECP-E2-PF
	With lithium battery	ESL5ECP-E2-LI-PF

RECOMMENDED SLING

The Standard Sling (page 39)

Placed under the armpits, its full padding under the arms distributes traction on the patient thus avoiding painful pressure and supports the chest area.



EASYLEV XL

With Electrical Opening Legs

Made in France
CE
 WARRANTY 5 YEARS

780/1010 mm
 100 mm
 700/940 mm
 300 kg
 45 kg



KEY FEATURES



Traction belt for a combined movement increasing patient comfort



Electrical opening legs for ease of use



Removable platform to use the device as a walking aid

PRESENTATION

The EASYLEV is also available in XL version as a specialized model for bariatric patients up to 300 kg. Its ingenious patented combined movement between the telescopic mast and the traction sling allows the patient to reach a standing position thus delivering a high-quality care for bariatric patient.

OPTION



Lithium Battery for more efficiency:
 - up to 312 cycles
 - 2 years warranty

RECOMMENDED SLING

The Standard Sling (page 39)

Placed under the armpits, its full padding under the arms distributes traction on the patient thus avoiding painful pressure and supports the chest area.



REFERENCES

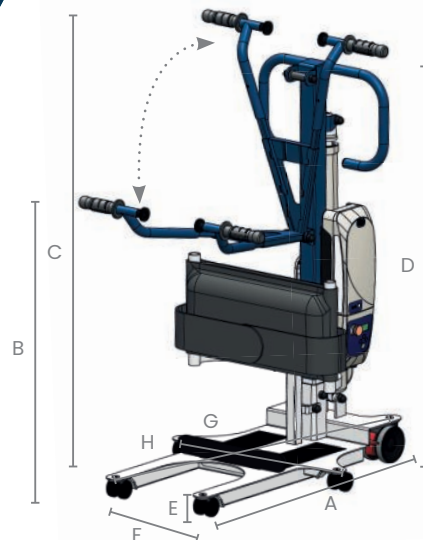
With standard battery	EASYLEV-XL-E-PF
With lithium battery	EASYLEV-XL-E-LI-PF



EASYLEV 5
Fixed Base

DIMENSIONS

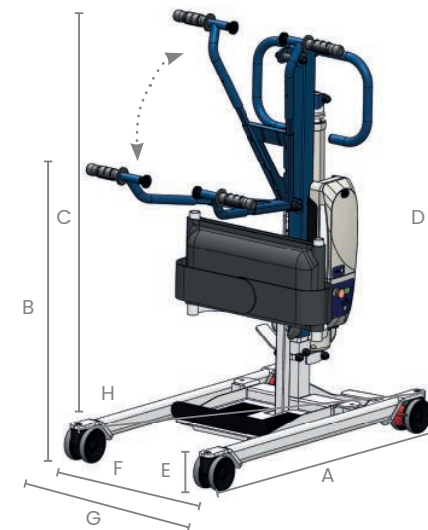
- A. Total length: 84 cm
- B. Minimum lifting height: 72 cm
- C. Maximum lifting height: 162 cm
- D. Total height: 121 cm
- E. Frame height: 6,5 cm
- F. Minimum base width: 24 cm
- G. Maximum base width: 56,5 cm
- H. Turning diameter: 90 cm



EASYLEV 5
With Mechanical Opening Legs

DIMENSIONS

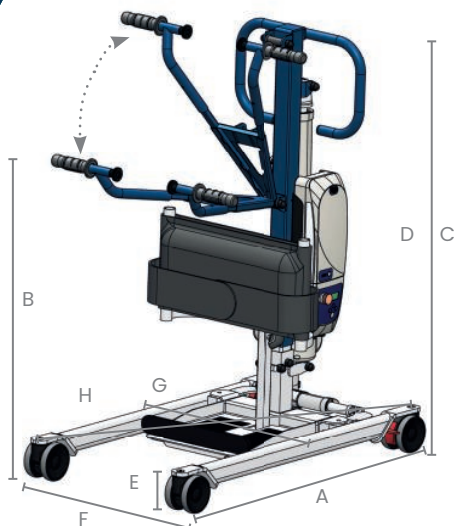
- A. Total length: 100 cm
- B. Minimum lifting height: 75 cm
- C. Maximum lifting height: 165 cm
- D. Total height: 126 cm
- E. Frame height: 11 cm
- F. Minimum base width: 54 cm
- G. Maximum base width: 90 cm
- H. Turning diameter: 110 cm



EASYLEV 5
With Electrical Opening Legs

DIMENSIONS

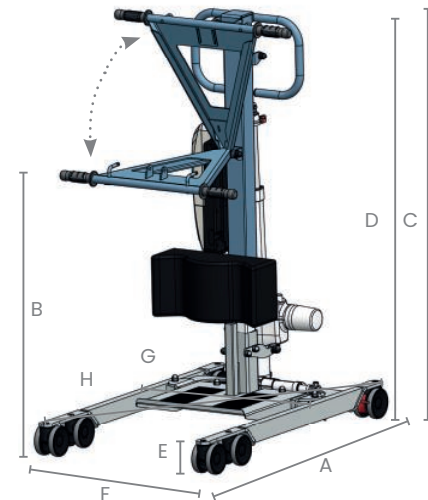
- A. Total length: 100 cm
- B. Minimum lifting height: 75 cm
- C. Maximum lifting height: 165 cm
- D. Total height: 126 cm
- E. Frame height: 11 cm
- F. Minimum base width: 54 cm
- G. Maximum base width: 100 cm
- H. Turning diameter: 110 cm



EASYLEV XL
With Electrical Opening Legs

DIMENSIONS

- A. Total length: 107 cm
- B. Minimum lifting height: 78 cm
- C. Maximum lifting height: 161 cm
- D. Total height: 121 cm
- E. Frame height: 11 cm
- F. Minimum base width: 70 cm
- G. Maximum base width: 94 cm
- H. Turning diameter: 124 cm





BLUE WAYUP RANGE PRESENTATION



DESIGNED FOR ALL BUDGETS

Specially designed for the budget conscious without compromising on quality and attention to detail, the BLUE WAYUP range is a made in France entry-level line.

Thanks to its fast and efficient lifting movement during a transfer, it allows the patient to reach a standing position.

The devices contribute to the stimulation of the patient by activating the chest area and supporting the lack of muscle tone in the lower body along with a 150 kg weight capacity providing a safe transfer solutions for homecare.

The BLUE WAYUP range is declined in 2 different versions:
- Fixed base (page.26)
- Opening base legs: mechanical or electrical (page.27)



LITHIUM BATTERY

As an option, a lithium battery is available to enhance the use of the device.

SCAN to watch

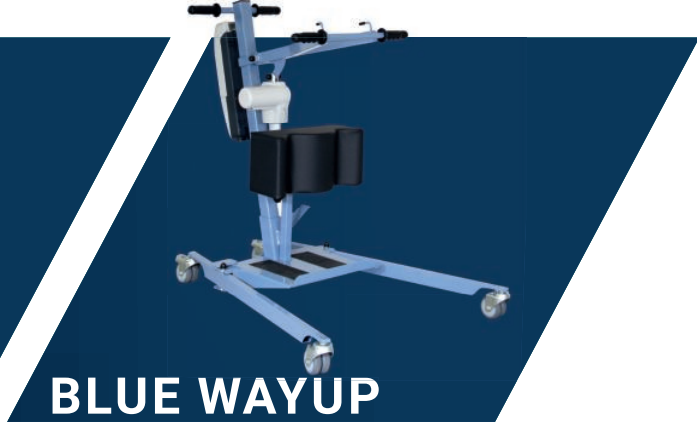


NAUSICAA Medical

BLUE WAYUP RANGE




BLUE WAYUP
With Fixed Base



BLUE WAYUP
With Mechanical Opening Legs



BLUE WAYUP
With Electrical Opening Legs

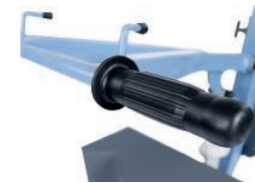
BLUE WAYUP RANGE KEY FEATURES

A patented movement to stimulate the patient

With a 150 kg weight capacity on all products, the BLUE WAYUP range provides a safe transfer solution for homecare.

The devices support the lack of muscle tone in the lower body in order to contribute to the stimulation of the patient by activating the chest area.

All devices are equipped with all the features of a premium stand-up lift in order to safely transfer a patient from a bed, a comfort chair, a toilet seat or a wheelchair.



- 01** LIFTING ARM:
- 1 standard setting, ergonomic fixed handles for a tight grip



- 02** HANGING SYSTEM
- Hooks secured and curved in the opposite direction of the traction sling



- 03** FOAM SHINE BLOCK
- Comfortable and adjustable foam in height



- 04** CASTORS
- Double braked castors 75 & 100 mm
- Double wheels 75 & 50 mm



BLUE WAYUP

With Fixed Base

Made in France
CE
 WARRANTY 5 YEARS

790/1230 mm
 80 mm
 340/590 mm
 150 kg
 29 kg



KEY FEATURES



Fixed handles for a tight grip



Foam shin block for a comfortable support



Ball bearing castors for a better maneuverability

PRESENTATION

Specially developed for confined spaces with its extremely compact base (59 cm base width), it allows easy access for the caregiver to perform a change during the toilet.

OPTION



Lithium Battery for more efficiency:
 - up to 312 cycles
 - 2 years warranty

RECOMMENDED SLING

The Eco Sling (page 38)

Placed under the armpits or on the lumbar region, its padding under the arms distributes traction on the patient and avoids painful pressure during a transfer.



REFERENCES	
With standard battery	WAYUPBLUE-PF
With lithium battery	WAYUPBLUE-LI-PF

BLUE WAYUP

With Mechanical or Electrical Opening Legs

Made in France
CE
WARRANTY 5 YEARS

840/1280 mm
 113 mm
 M: 570/880 mm
 E: 570/900 mm
 150 kg
 33/35 kg



KEY FEATURES



Fixed handles for a tight grip



Foam shin block for a comfortable support



Mechanical or electrical opening legs for better access



Removable platform to use the device as a walking aid

PRESENTATION

This mechanical or electrical opening legs version is specially designed to provide an optimal ease of access to armchairs or wheelchairs. They are perfectly adapted to efficiently perform a change of the patient's lower body and be easily transformed into a walking aid by removing the foot platform.

- 2 opening base legs versions:
- Mechanical opening legs
 - Electrical opening legs

OPTION



Lithium Battery for more efficiency:
 - up to 312 cycles
 - 2 years warranty

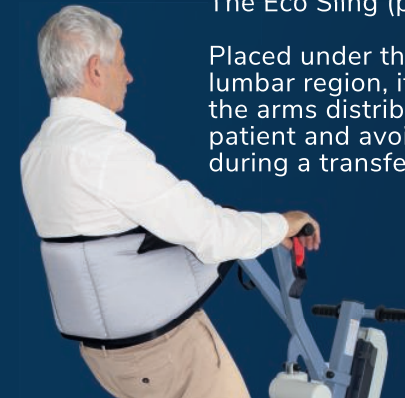
REFERENCES

Mechanical Opening	With standard battery	WAYUPBLUECP-PF
	With lithium battery	WAYUPBLUECP-LI-PF
Electrical Opening	With standard battery	WAYUPBLEP+-E-PF
	With lithium battery	WAYUPBLEP+-E-LI-PF

RECOMMENDED SLING

The Eco Sling (page 38)

Placed under the armpits or on the lumbar region, its padding under the arms distributes traction on the patient and avoids painful pressure during a transfer.



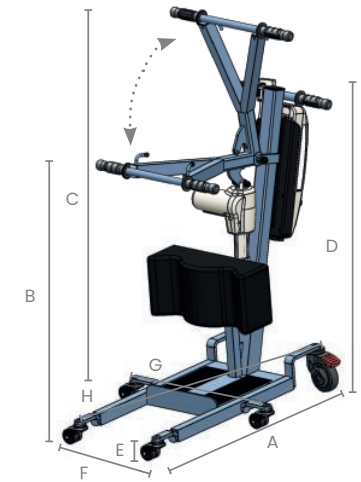
TECHNICAL DATA BLUE WAYUP RANGE

BLUE WAYUP Fixed Base



DIMENSIONS

- A. Total length: 94 cm
- B. Minimum lifting height: 79 cm
- C. Maximum lifting height: 123 cm
- D. Total height: 95 cm
- E. Frame height: 8 cm
- F. Minimum base width: 29,5 cm
- G. Maximum base width: 59 cm
- H. Turning diameter: 90 cm

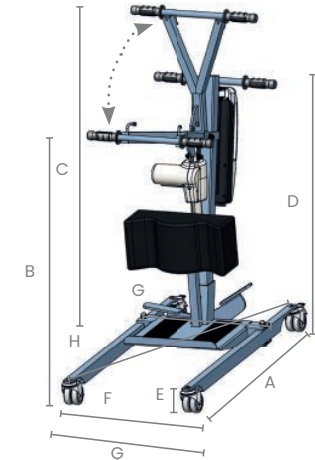


BLUE WAYUP With Mechanical Opening Legs



DIMENSIONS

- A. Total length: 100 cm
- B. Minimum lifting height: 84 cm
- C. Maximum lifting height: 128 cm
- D. Total height: 98 cm
- E. Frame height: 11 cm
- F. Minimum base width: 57 cm
- G. Maximum base width: 88 cm
- H. Turning diameter: 110 cm

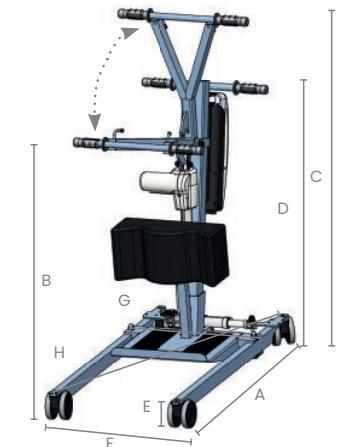


BLUE WAYUP With Electrical Opening Legs



DIMENSIONS

- A. Total length: 100 cm
- B. Minimum lifting height: 75 cm
- C. Maximum lifting height: 158 cm
- D. Total height: 126 cm
- E. Frame height: 11 cm
- F. Minimum base width: 57 cm
- G. Maximum base width: 90 cm
- H. Turning diameter: 110 cm



NEW PRODUCT 2021

We are extremely proud to introduce our new stand-up lift range: the **BLUE EASYLEV RANGE**.

Available
in spring
2021



WARRANTY
5
YEARS





BLUE EASYLEV RANGE PRESENTATION



AN ECONOMICAL RANGE DESIGNED FOR A SMOOTH TRANSFER

The BLUE EASYLEV range is an entry-level line which is specially designed for the budget conscious without compromising on quality and attention to detail.

Due to its ingenious patented combined movement between the telescopic mast and the traction sling, the new BLUE EASYLEV range allows the patient to reach a standing position with a smooth motion while supporting a very low tonicity of the patient's chest area.

The devices contribute to the stimulation of the patient by activating the chest area and supporting the lack of muscle tone in the lower body along with a 150 kg weight capacity providing a safe transfer solutions for homecare.

Comfortable, the BLUE EASYLEV range is declined in 2 different models:
- Fixed base (page 32)
- Opening base legs: mechanical or electrical (page 33)



LITHIUM BATTERY

As an option, a lithium battery is available to enhance the use of the device.

SCAN to watch

NAUSICAA Medical

BLUE EASYLEV RANGE



BLUE EASYLEV
With Fixed Base



BLUE EASYLEV
With Mechanical Opening Legs



BLUE EASYLEV
With Electrical Opening Legs

BLUE EASYLEV RANGE KEY FEATURES



A patented movement to stimulate the patient

With a 150 kg weight capacity, the BLUE EASYLEV range provides a safe transfer solution for homecare.

The devices support a very low tonicity of the patient's bust through its combined motion providing a comfortable standing-up process for the patient.

All devices are equipped with all the features of a premium stand-up lift in order to smoothly transfer a patient with the best possible comfort from a bed, a comfort chair, a toilet seat or a wheelchair.



01 LIFTING ARM:
- 1 standard setting, ergonomic fixed handles for a tight grip



02 Continuous handlebar for ease of handling and better maneuverability during the complete transfer



03 HANGING SYSTEM
- Hooks secured and curved in the opposite direction of the traction sling



04 FOAM SHINE BLOCK
- Comfortable and adjustable foam in height



05 CASTORS
- Double braked castors 75 & 100 mm
- Double wheels 75 & 50 mm

BLUE EASYLEV

With Fixed Base

Made in France
CE
 WARRANTY 5 YEARS

660/1560 mm
 80 mm
 340/590 mm
 150 kg
 38 kg



KEY FEATURES



Traction belt for a combined movement increasing patient comfort



Continuous handlebar for ease of handling and better maneuverability during the complete transfer



Foam shin block for a comfortable support



Ball bearing castors for a better maneuverability

PRESENTATION

It has been designed for patients with very low tonicity in the chest area. Easy to handle with its oversized handlebar, it is made for confined spaces with its extremely compact base (59 cm base width). It allows easy access for the caregiver to perform a change during the daily toilet.

OPTION



Lithium Battery for more efficiency:
 - up to 312 cycles
 - 2 years warranty

RECOMMENDED SLING

The Eco Sling (page 38)

Placed under the armpits or on the lumbar region, its padding under the arms distributes traction on the patient and avoids painful pressure during a transfer.



REFERENCES	
With standard battery	EASYLEVBLUE-PF
With lithium battery	EASYLEVBLUE-LI-PF

BLUE EASYLEV

With Mechanical or Electrical Opening Legs



KEY FEATURES



Traction belt for a combined movement increasing patient comfort



Continuous handlebar for ease of handling and better maneuverability during the complete transfer



Mechanical or electrical opening legs for ease of use



Removable platform to use the device as a walking aid



PRESENTATION

This mechanical or electrical opening legs version is specially designed to provide an optimal ease of access to armchairs or wheelchairs. Both models are completely dedicated to a smooth comfortable standing-up process due to their specific combined movement. By removing the foot platform, they can be easily transformed into a walking aid to encourage the patient to walk on its own.

OPTION



Lithium Battery for more efficiency:
 - up to 312 cycles
 - 2 years warranty

REFERENCES

Mechanical Opening	With standard battery	EASYLEVBLUECP-PF
	With lithium battery	EASYLEVBLUECP-LI-PF
Electrical Opening	With standard battery	ESLB2EP+-E2-PF
	With lithium battery	ESLB2EP+-E2-LI-PF

RECOMMENDED SLING



The Eco Sling (page 38)

Placed under the armpits or on the lumbar region, its padding under the arms distributes traction on the patient and avoids painful pressure during a transfer.

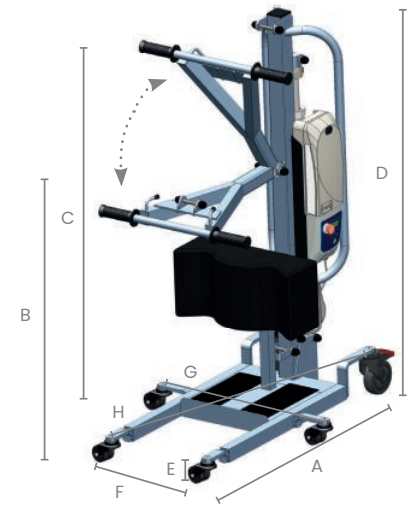
TECHNICAL DATA BLUE EASYLEV RANGE

BLUE EASYLEV Fixed Base



DIMENSIONS

- A. Total length: 94 cm
- B. Minimum lifting height: 66 cm
- C. Maximum lifting height: 156 cm
- D. Total height: 121 cm
- E. Frame height: 8 cm
- F. Minimum base width: 29,5 cm
- G. Maximum base width: 59 cm
- H. Turning diameter: 90 cm

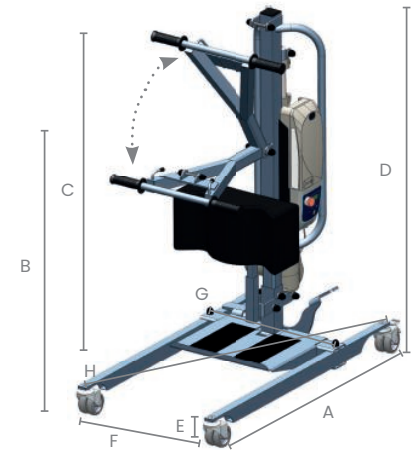


BLUE EASYLEV With Mechanical Opening Legs



DIMENSIONS

- A. Total length: 100 cm
- B. Minimum lifting height: 70 cm
- C. Maximum lifting height: 160 cm
- D. Total height: 126 cm
- E. Frame height: 11 cm
- F. Minimum base width: 54 cm
- G. Maximum base width: 88 cm
- H. Turning diameter: 110 cm

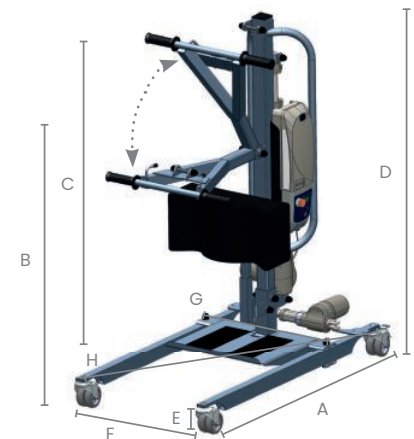


BLUE EASYLEV With Electrical Opening Legs



DIMENSIONS

- A. Total length: 100 cm
- B. Minimum lifting height: 70 cm
- C. Maximum lifting height: 160 cm
- D. Total height: 126 cm
- E. Frame height: 11 cm
- F. Minimum base width: 59 cm
- G. Maximum base width: 90 cm
- H. Turning diameter: 110 cm



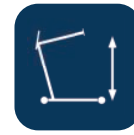
STAND-UP LIFTS Comparative



Weight Capacity
(in kg)



Total Weight
(in kg)



Minimum and
Maximum Lifting
Height (in cm)



Frame Height
(in cm)



Internal and
External Width
Legs (in cm)



Minimum and
Maximum Base
Width (in cm)

	Weight Capacity (in kg)	Total Weight (in kg)	Minimum and Maximum Lifting Height (in cm)	Frame Height (in cm)	Internal and External Width Legs (in cm)	Minimum and Maximum Base Width (in cm)
WAYUP 5 Fixed Base (page 14)	180	29	80 / 133	6,5	24 / 56,5	-
WAYUP 5 Mechanical Opening Legs (page 15)	180	36	82 / 135	11	-	54 / 90
WAYUP 5 Electrical Opening Legs (page 15)	180	38	82 / 135	11	-	54 / 100
WAYUP XL Electrical Opening Legs (page 16)	300	45	92 / 131	11	-	70 / 94
EASYLEV 5 Fixed Base (pages 20)	180	38	78 / 155	6,5	24 / 56,5	-
EASYLEV 5 Mechanical Opening Legs (page 21)	180	42	75 / 158	11	-	54 / 90
EASYLEV 5 Electrical Opening Legs (page 21)	180	44	75 / 158	11	-	54 / 100
EASYLEV XL Electrical Opening Legs (page 22)	300	45	78 / 161	11	-	70 / 94
BLUE WAYUP Fixed Base (page 26)	150	29	79 / 123	8	29,5 / 59	-
BLUE WAYUP Mechanical Opening Legs (page 27)	150	33	84 / 128	11	-	57 / 88
BLUE WAYUP Electrical Opening Legs (page 27)	150	38,5	84 / 128	11,5	-	57 / 90
BLUE EASYLEV Fixed Base (page 32)	150	38	66 / 156	8	29,5 / 59	-
BLUE EASYLEV Mechanical Opening Legs (page 33)	150	42	70 / 160	11	-	57 / 88
BLUE EASYLEV Electrical Opening Legs (page 33)	150	44	70 / 160	11	-	57 / 90

STAND-UP LIFTS SLINGS

Presentation



SCAN ME
to view all
devices

About our made in France know-how

NAUSICAA Medical has been manufacturing slings for more than 25 years and works closely with health professionals to warrant that our slings perfectly match all patient needs.

We offer an appropriate sling for each of our lifters (also compatible with all stand-up lifts on the market equipped with a hook system) to ensure that patient's mobility is assisted in the most appropriate manner possible for the safest transfer.

Quick and easy to install for the caregiver, our stand-up lifts slings are compliant to European Standard NF EN ISO 10535:2007 and ensure comfort as well as security for the patient.

CE Certification

All our slings are CE certified in compliance with EU requirements arising to the product's manufacturer.

Fabric

The slings are manufactured in polyester, a very easy to handle fabric which provides an optimized and comfortable positioning.

Washing

All our slings are washable at 70°C.

Reach Compliance

Our slings follow the REACH regulation which aims to progressively remove the most dangerous chemical substances in the European Union.



Certified



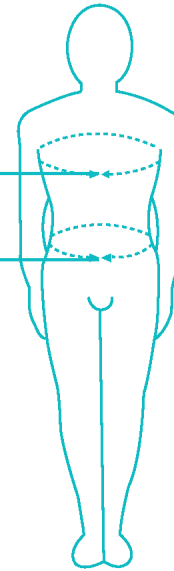
Quality



STAND-UP LIFTS SLINGS RANGE USER GUIDE

Size Chart

SIZES	TU (one size fits)	S	M	L	XL
BUST (in cm)	/	70/90	90/115	115/140	140/165
WAIST (in cm)	/	70/90	90/115	115/140	140/165



Choosing the correct sling size is essential in order to ensure safety during the transfer.

A wrong sized sling generates discomfort and increases the risk of injury for the patient.

A size colour-code of the edges has been put in place in order to quickly identify the size of each sling:

- to the size S corresponds the Yellow colour
- to the size M corresponds the Red colour
- to the size L corresponds the Green colour
- to the size XL corresponds the Blue colour
- to the size TU (one size fits) corresponds the Black colour

Compatibility Chart

	WAYUP 5 (page 14)	WAYUP 5 with opening legs (page 15) & WAYUP XL (page 16)	EASYLEV 5 (page 20)	EASYLEV 5 with opening legs (page 21) & EASYLEV XL (page 22)	BLUE WAYUP (page 26)	BLUE WAYUP with opening legs (page 27)	BLUE EASYLEV (page 32)	BLUE EASYLEV with opening legs (page 33)
ECO SLING (page 38)	★	★	★	★	★★★★	★★★★	★★★★	★★★★
SPECIFIC SLING (page 38)	★★★★	★★★★	★★	★★	★★★★	★★★★	★★	★★
STANDARD SLING (page 39)	★★	★★	★★★★	★★★★	★★	★★	★★★★	★★★★

In order to select the size of a sling, the caregiver must match the chest (Standard and Eco Slings) or waist (Specific Sling) with the dimensions mentioned in the table beside.

IMPORTANT

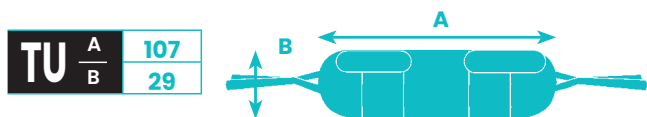
An assessment of the patient's capacity is required before using a stand-up lift; should be considered, depending on the situation, the patient's physical handicap, pathology, and morphology.

ECO SLING



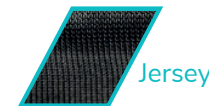
Specially designed to be used with the BLUE WAYUP range (page 24) and the BLUE EASYLEV range (page 30), the Eco Sling is available in one size fits all.

Placed under the armpits or on the lumbar region, its padding under the arms distributes traction on the patient and avoids painful pressure during a transfer.



TU	A	107
	B	29

REFERENCE	
Jersey	SXPECO-PF-TU



SPECIFIC SLING



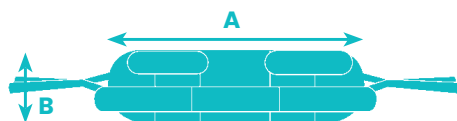
Manufactured to be used with the WAYUP 5 range (page 12), the Specific Sling is available in 4 different sizes.

Positioned on the lumbar region in order to trigger the patient's natural raising scheme, its rigid foam padding at the back-part level reduces painful pressure and its belt allows transfers in a sitting position.



REFERENCES	
Jersey	SWYP3-PF-S
Jersey	SWYP3-PF-M
Jersey	SWYP3-PF-L
Jersey	SWYP3-PF-XL
Padded Buttocks Belt	+PAD-PF

S	A	81	L	A	107
	B	21		B	29
M	A	94	XL	A	123
	B	25		B	33



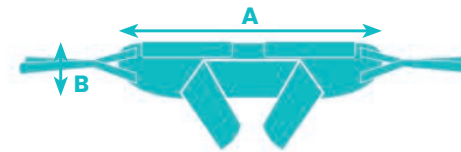
Option:
padded buttocks belt

Conceived to be used with the EASYLEV 5 range (page 18), the Standard Sling is available in 4 different sizes.

Placed under the armpits, its full padding under the arms distributes traction on the patient thus avoiding painful pressure and supports the chest area.



S	A	81	L	A	107
	B	21		B	29
M	A	94	XL	A	123
	B	25		B	33



REFERENCES	
Jersey	SAPVR-PF-S
Jersey	SAPVR-PF-M
Jersey	SAPVR-PF-L
Jersey	SAPVR-PF-XL



Jersey

TRANSFER (sitting position)



1

Position the "under thighs" strap and close it adjusting it without tightening too much.



2

Handlebar in lower position: Position the **yellow loops** on the central hooks of the handlebar.



3

Operate the actuator until halfway.



PATIENT LIFTS

Presentation

All our patient lifts are compliant to European Standard NF EN ISO 10535:2007.

Why use a Patient Lift?

Patient lifts are very useful to transfer patients from a bed, chair, toilet, wheelchair or from the floor, in an easy and efficient way.

It is the best solution to perform daily care as they allow patients in care environments to acquire physical and psychological benefits while preserving mobility, independence, and dignity.

They provide the most appropriate solution for lifting and positioning.

For whom?

Patient lifts have been designed to enable safe lifting and transferring for passive patients with minimum effort for caregivers who can devote more attention to the patient's security and comfort.

What you need to know before choosing?

Selecting the right device is essential for maintaining mobility as the use of adapted equipment reduces the risk of injury, both for the patient and for the caregiver.



Warranty



Certified



Quality



Lithium Battery Available



SCAN ME
to view all
devices

OVERVIEW



FLYER
RANGE

42



NAUSI-FLY
RANGE

50



BLUE FLYER
RANGE

56



FLYER RANGE PRESENTATION



DESIGNED TO PERFORM HIGH QUALITY CARE

Practical and polyvalent, the FLYER range is our bestselling hoist line for several years as it includes high-end products for caregivers in order to provide quality care during transfers for all patients.

The FLYER range is declined in 4 different models:

- Standard sized with mechanical opening (page 44)
- Standard sized with electrical opening (page 45)
- Compact sized with mechanical opening (page 46)
- XL bariatric version with electrical opening (page 47)

The devices are suited for high-priority situations where fast and effective lifting is required.



LITHIUM BATTERY

As options, a lithium battery is available to enhance the use of the device and a mountable NAUSICAA weighing system (page 55) to determine the patient's weight.

NAUSICAA Medical FLYER RANGE



FLYER

With Mechanical Opening Legs



FLYER PLUS

With Mechanical or Electrical Opening Legs



FLYER COMPACT

With Mechanical Opening Legs



FLYER XL

With Electrical Opening Legs

FLYER RANGE KEY FEATURES

Equipped with advanced functional key features.

The FLYER range is designed to have the highest level of quality and safety to ensure that the caregiver and the patient are protected against any risk of injury.

With their exceptional very low base, these devices are compatible with the lowest medical beds on the market.

Versatile and useful, they are perfectly adapted to transfer a patient from a bed to a chair or a wheelchair.

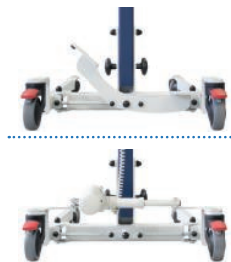


01 4-POINT WIDE SPREADER BAR for an optimized weight distribution for patient comfort

- Better for:
- Large or tall patients
 - Patient positioning at 90° for transfer to a chair
 - Includes head protection
 - Lifting from floor



02 REMOTE AND CONTROL BOX
- 2 FUNCTIONS or 4 FUNCTIONS (when electrical opening legs is chosen) with battery level display on the remote control



03 OPENING LEGS:
- Mechanical
- Electrical



04 CASTORS:
- Reduced frame height (85 mm)
- 4 Double castors 75 mm
- 2 Single braked castors 100 mm



FLYER

With Mechanical Opening Legs

Made in France
CE
 WARRANTY 5 YEARS

570/1760 mm
 80 mm
 650/1090 mm
 160 kg
 40 kg



KEY FEATURES



4-point spreader bar for an optimized weight distribution



6 000 N actuator for a 160 kg weight capacity



Reduced height of the front castors to pass under the lowest beds

PRESENTATION

Our best-seller provides a great ease of movement to perform secure and comfortable transfers for all patients (160 kg weight capacity). Its mechanical opening base legs (up to 109 cm) allows an ease of access to large widths wheelchairs.

OPTIONS



Lithium Battery for more efficiency:
 - up to 84 cycles
 - 2 years warranty



A mountable NAUSICAA weighing system to determine the patients weight (page 55)

REFERENCES

With standard battery	FLYER-PF
With lithium battery	FLYER-LI-PF

FLYER PLUS

With Mechanical or Electrical Opening Legs

Made in France
CE
 WARRANTY 5 YEARS

570/1760 mm
 113 mm
 M: 650/1090 mm
 E: 650/1140 mm
 180 kg
 40/42 kg



KEY FEATURES



4-point spreader bar for an optimized weight distribution



Premium control box for an enhanced use



75 mm castors with reduced height to pass under the lowest beds

PRESENTATION

Our high-end device is specially conceived for daily transfers due to its enhanced mobility (double ball bearings castors), its mechanical (up to 109 cm) or electrical (up to 114 cm) opening legs and its 8 000 N actuator (180 kg weight capacity).

OPTIONS



Lithium Battery for more efficiency:
 - up to 84 cycles
 - 2 years warranty



A mountable NAUSICAA weighing system to determine the patients weight (page 55)

REFERENCES

Mechanical Opening	With standard battery	FLYERPLUS2-M-PF
	With lithium battery	FLYERPLUS2-M-LI-PF
Electrical Opening	With standard battery	FLYER+2-E2-PF
	With lithium battery	FLYER+2-E2-LI-PF

FLYER COMPACT

With Mechanical Opening Legs

Made in France
CE
 WARRANTY 5 YEARS

580/1600 mm
 113 mm
 520/990 mm
 160 kg
 38 kg



KEY FEATURES



4-point spreader bar for an optimized weight distribution



Reduced height of the front castors to pass under the lowest beds



Easy transport with its quick folding capability

PRESENTATION

It is specially designed for home care use with its compact base and reduced dimensions, along with its mechanical opening legs (up to 99 cm) and its 160 kg weight capacity (6 000 N actuator).

OPTION



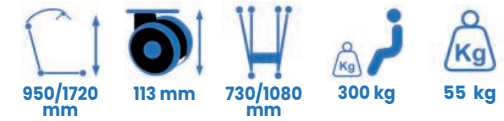
Lithium Battery for more efficiency:
 - up to 84 cycles
 - 2 years warranty

REFERENCES

With standard battery	FLYERCOMPACT-PF
With lithium battery	FLYERCOMPACT-LI-PF

FLYER XL

With Electrical Opening Legs



KEY FEATURES



Ergonomically designed 4-point spreader bar for an optimized weight distribution



10 000 N actuator for an increased maximum weight capacity (300 kg)



Strong castors with double ball bearing

PRESENTATION

With its tremendous lifting power (10 000 N actuator) and its large electrical opening legs (up to 108 cm) which provides safety and comfort, the FLYER XL is a specialized model designed to improve the daily lives of bariatric patients (up to 300 kg) whose size and weight are challenging.

OPTIONS



Lithium Battery for more efficiency:
- up to 84 cycles
- 2 years warranty



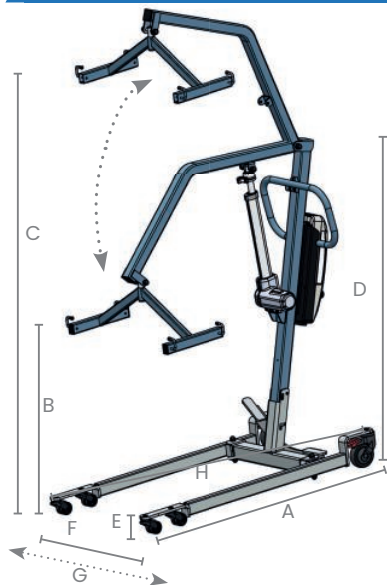
A mountable NAUSICAA weighing system to determine the patients weight (page 55)

REFERENCES

With standard battery	FLYER-XL-E-PF
With lithium battery	FLYER-XL-E-LI-PF



FLYER
With Mechanical Opening Legs

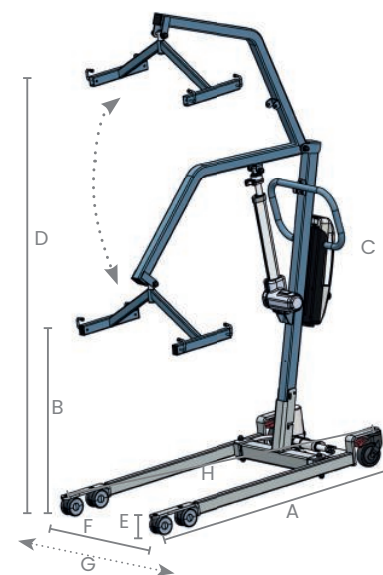


DIMENSIONS

- A. Total length: 119 cm
- B. Minimum lifting height: 57 cm
- C. Maximum lifting height: 176 cm
- D. Total height: 131 cm
- E. Frame height: 8,5 cm
- F. Minimum base width: 65 cm
- G. Maximum base width: 109 cm
- H. Turning diameter: 132 cm



FLYER PLUS
With Mechanical or Electrical Opening Legs

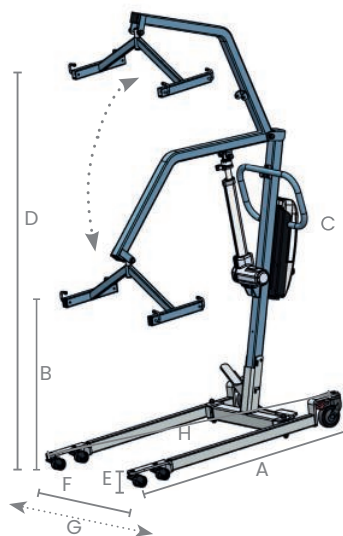


DIMENSIONS

- A. Total length: 119 cm
- B. Minimum lifting height: 59 cm
- C. Maximum lifting height: 180 cm
- D. Total height: 133 cm
- E. Frame height: 8,5 cm
- F. Minimum base width: 65 cm
- G. Maximum base width:
 - Mechanical Opening Legs: 109 cm
 - Electrical Opening Legs: 114 cm
- H. Turning diameter: 132 cm



FLYER COMPACT
With Mechanical Opening Legs

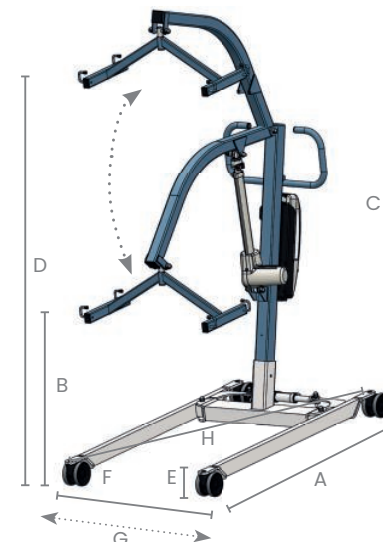


DIMENSIONS

- A. Total length: 100 cm
- B. Minimum lifting height: 58 cm
- C. Maximum lifting height: 160 cm
- D. Total height: 120 cm
- E. Frame height: 8,5 cm
- F. Minimum base width: 52 cm
- G. Maximum base width: 99 cm
- H. Turning diameter: 112 cm



FLYER XL
With Electrical Opening Legs



DIMENSIONS

- A. Total length: 125 cm
- B. Minimum lifting height: 95 cm
- C. Maximum lifting height: 172 cm
- D. Total height: 125 cm
- E. Frame height: 11 cm
- F. Minimum base width: 73 cm
- G. Maximum base width: 108 cm
- H. Turning diameter: 143 cm

LIFTING FROM FLOOR

What type of slings?

NAUSICAA Medical provides 6 types of slings to be able to perform a transfer from the floor:

- Universal Eco Hammock Sling (page 65)
- U-Shaped Sling (page 66)
- Hammock Without Crossing Sling (page 71)
- Enveloping Sling (page 72)
- Ergonomic Sling (page 72)
- Backrest Sling (page 73)

How to do it?

When collecting from floor, you should:

1. Secure the patient's neck using a rigid headrest (removable or sewed):
 - If the sling does not have a headrest, you must accompany the patient's neck.
2. The patient's head must be opposite the mast avoiding thus shocks during lifting.
3. Do not forget to open the patient lifter's legs to facilitate the passage (one along the body and the second under the bend of both knees).





NAUSI-FLY RANGE PRESENTATION



THOUGHT FOR OPTIMIZED COMFORT AND COST EFFECTIVENESS

With its great maneuverability, the NAUSI-FLY range has been conceived as an optimized mix between an economic budget and high-end specifications to perform secure and comfortable transfers with its smooth lifting movement.

It offers a simplicity of use and a versatility allowing to perform secure and comfortable transfers for all patients.

- The NAUSI-FLY range is declined in 3 different models:
- Standard sized with mechanical opening or electrical opening (page 52)
 - Compact sized with mechanical opening (page 53)

With the NAUSI-FLY range, a single caregiver can manage a wide range of patient handling routines in a secure environment while maintaining a correct posture to avoid injury.



LITHIUM BATTERY

As options, a lithium battery is available to enhance the use of the device and a mountable NAUSICAA weighing system (page 55) to determine the patient's weight.

NAUSICAA
Medical

▶

NAUSI-FLY RANGE

SCAN to watch



NAUSI-FLY

With Mechanical Opening Legs



NAUSI-FLY

With Electrical Opening Legs



NAUSI-FLY COMPACT

With Mechanical Opening Legs

NAUSI-FLY RANGE KEY FEATURES

WARRANTY
5
YEARS



Equipped with advanced functional key features.

The NAUSI-FLY range is designed to have the best maneuverability to guarantee comfort to the patient and ease of use to the caregiver.

With their double large castors, these devices are fully adapted for home care and make it exceptionally easy to move around multiple floor types.

Moreover, they can lift a patient from the floor (page 49).



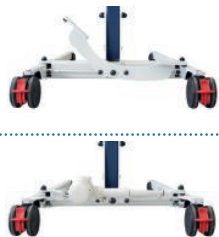
01

- 4-POINT WIDE SPREADER BAR for an optimized weight distribution for patient comfort
Better for:
- Large or tall patients
 - Patient positioning at 90° for transfer to a chair
 - Include head protection
 - Lifting from floor



02

- REMOTE AND CONTROL BOX
- SIMPLE FUNCTIONS or 4 FUNCTIONS (when electrical opening legs is chosen) with battery display level on the remote control



03

- OPENING LEGS:
- Mechanical
 - Electrical



04

- CASTORS:
- 4 Double castors and 2 double braked castors 100 mm
 - Frame height : 113 mm



NAUSI-FLY

With Mechanical or Electrical Opening Legs



600/1790 mm



113 mm



M: 650/980 mm
E: 650/1180 mm



180 kg



38/40 kg



KEY FEATURES



4-point spreader bar for an optimized weight distribution



8 000 N actuator offering a compromise between maximum capacity (180 kg) and lifting speed



Electrical opening legs for ease of use



4 large doubles castors with double ball bearing for improved mobility

PRESENTATION

These mechanical and electrical opening legs versions allow enhanced maneuverability for daily transfers with their double ball bearing castors. In addition to the 8 000 N actuator (180 kg weight capacity), the 4-points spreader bar is perfectly adapted to provide a maximum comfort and security to the patient.

OPTIONS



Lithium Battery for more efficiency:
- up to 84 cycles
- 2 years warranty



A mountable NAUSICAA weighing system to determine the patients weight (page 55)

REFERENCES

Mechanical Opening	With standard battery	NAFLY2-180-PF
	With lithium battery	NAFLY2-180-LI-PF
Electrical Opening	With standard battery	NAFLY+2-PF
	With lithium battery	NAFLY+2-LI-PF

NAUSI-FLY COMPACT

With Mechanical Opening Legs

Made in France

CE WARRANTY 5 YEARS

610/1600 mm

113 mm

570/880 mm

160 kg

31 kg



KEY FEATURES



4-point spreader bar for an optimized weight distribution



Large handlebar for ease of handling



4 large doubles castors with double ball bearing for improved mobility

PRESENTATION

Specially designed for home care use where space is limited, its reduced dimensions and its 160 kg weight capacity (6 000 N actuator) make it a remarkably efficient patient lift.

OPTION



Lithium Battery for more efficiency:
 - up to 84 cycles
 - 2 years warranty

REFERENCES

With standard battery	NAFLY-160-CPT-PF
With lithium battery	NAFLY-160-CP-LI-PF

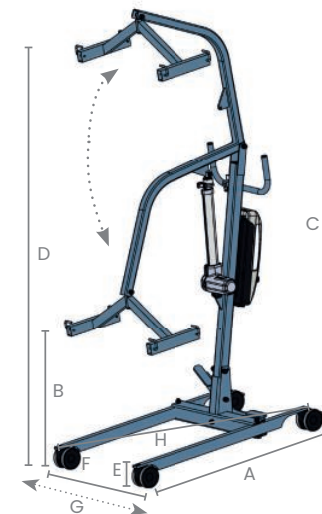
TECHNICAL DATA NAUSI-FLY RANGE

NAUSI-FLY With Mechanical Opening Legs



DIMENSIONS

- A. Total length: 119 cm
- B. Minimum lifting height: 60 cm
- C. Maximum lifting height: 181 cm
- D. Total height: 134 cm
- E. Frame height: 11,5 cm
- F. Minimum base width: 65 cm
- G. Maximum base width: 98 cm
- H. Turning diameter: 133 cm

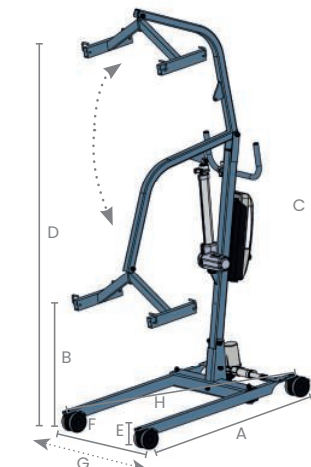


NAUSI-FLY With Electrical Opening Legs



DIMENSIONS

- A. Total length: 119 cm
- B. Minimum lifting height: 60 cm
- C. Maximum lifting height: 181 cm
- D. Total height: 134 cm
- E. Frame height: 11,5 cm
- F. Minimum base width: 66 cm
- G. Maximum base width: 118 cm
- H. Turning diameter: 133 cm

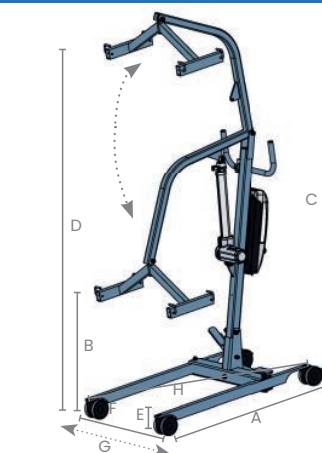


NAUSI-FLY COMPACT With Mechanical Opening Legs



DIMENSIONS

- A. Total length: 100 cm
- B. Minimum lifting height: 61 cm
- C. Maximum lifting height: 160 cm
- D. Total height: 126 cm
- E. Frame height: 11,5 cm
- F. Minimum base width: 57 cm
- G. Maximum base width: 88 cm
- H. Turning diameter: 113 cm



NAUSICAA WEIGHING SYSTEM



Easily weigh patients during transfers

All our patient lifts can be equipped with a weighing system which is designed to easily determine the weight of patients (up to 300 kg) during transfers by a patient lifter.

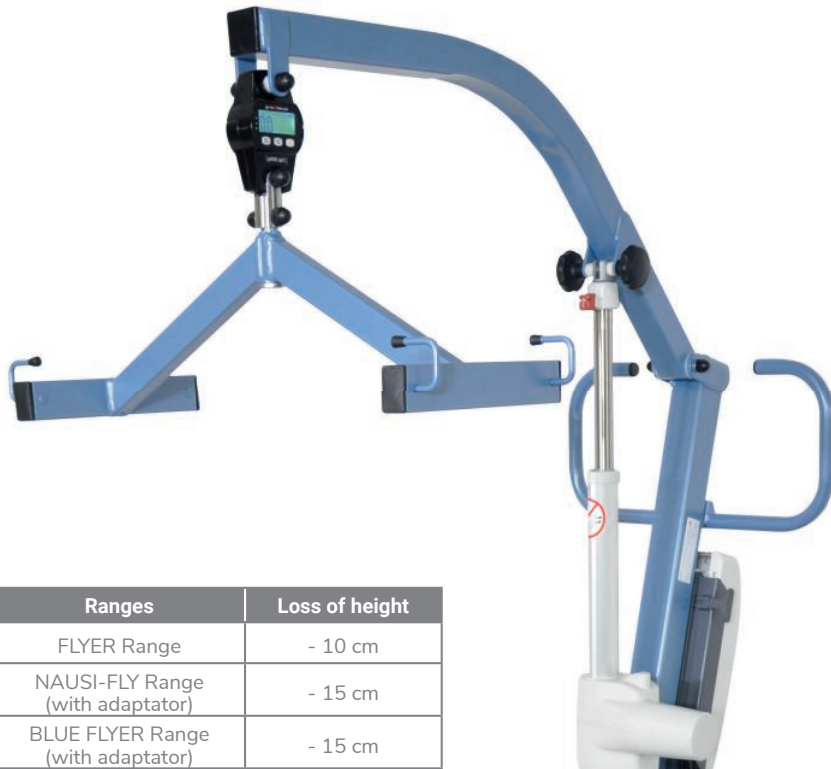
Good to know

The device's maximum capacity on which it will be assembled prevails on the weighing system.

It can only be mounted on a NAUSICAA Medical patient lift and is delivered with fixations to reduce the loss of useful height.

Caution

To maintain a correct useful height, we do not recommend using it with compact devices such as the BLUE FLYER COMPACT, the NAUSI-FLY COMPACT and the FLYER COMPACT.



Ranges	Loss of height
FLYER Range	- 10 cm
NAUSI-FLY Range (with adaptator)	- 15 cm
BLUE FLYER Range (with adaptator)	- 15 cm



- 01** TARE: turns the system to zero, even with a weight suspended to the system
- 02** ZERO: used to define the absolute zero
- 03** HOLD: displays a steady weight even if the system oscillates
- 04** UNIT: selects the desired unit of measure

REFERENCES	Weighing System	PESEE-NA-PF
	Adaptator	PESEE-NA-KIT2



BLUE FLYER RANGE PRESENTATION



CONCEIVED FOR ALL BUDGETS

Specially designed to meet a limited budget while maintaining a high quality of manufacture, the BLUE FLYER range is our entry-level line.

The devices are competitive and useful for a wide range of patient handling.

- The BLUE FLYER range is declined in 3 different models:
- Standard sized with mechanical or electrical opening (page 58)
 - Compact sized with mechanical opening (page 59)



LITHIUM BATTERY

As options, a lithium battery is available to enhance the use of the device and a mountable NAUSICAA weighing system (page 55) to determine the patient's weight.

SCAN to watch

NAUSICAA Medical

BLUE FLYER RANGE



BLUE FLYER
With Mechanical Opening Legs



BLUE FLYER
With Electrical Opening Legs



BLUE FLYER COMPACT
With Mechanical Opening Legs

BLUE FLYER RANGE KEY FEATURES

Equipped with advanced functional key features.

All models are especially effective for safely lifting a patient from a bed, a comfort chair, a toilet seat or a wheelchair to provide standard transfers.

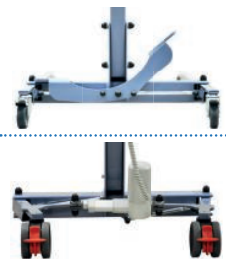
With their simple movement they are perfectly adapted to perform daily transfers in a safe environment for the patient and for the caregiver.



- 01** 2 OR 4-POINT SPREADER BAR
Better for:
- Small patients
 - Enveloping effect
 - Quick sling installation
 - Patient positioning at 90° to transfer to a chair



- 02** REMOTE AND CONTROL BOX
- SIMPLE FUNCTIONS or 4 FUNCTIONS
(when electrical opening legs is chosen)
with battery display level on the remote control



- 03** OPENING LEGS:
- Mechanical
- Electrical



- 04** LARGE HANDLEBAR
for ease of handling



BLUE FLYER

With Mechanical or Electrical Opening Legs

Made in France
CE
 WARRANTY 5 YEARS

600/1810 mm
 110 mm
 M: 650/980 mm
 E: 650/1180 mm
 180 kg
 38/40 kg



KEY FEATURES



360-degree rotation of the spreader bar for a simplified positioning



8 000 N actuator offering a compromise between maximum capacity (180 kg) and lifting speed



Electrical opening legs for ease of use



Reduced height of the front castors to pass under the lowest beds

PRESENTATION

These mechanical and electrical opening legs versions are extremely easy to use and specially designed to perform secure and comfortable transfers for most patients (180 kg weight capacity with an 8 000 N actuator).

OPTIONS



Lithium Battery for more efficiency:
 - up to 84 cycles
 - 2 years warranty



A mountable NAUSICAA weighing system to determine the patients weight (page 55)

REFERENCES

		REFERENCES
Mechanical Opening	With standard battery	FLYER-BLUE-PF
	With lithium battery	FLYER-BLUE-LI-PF
Electrical Opening	With standard battery	FLYERBLUE+-E-PF
	With lithium battery	FLYERBLUE+-E-LI-PF

BLUE FLYER COMPACT

With Mechanical Opening Legs



CE
WARRANTY 5 YEARS

610/1600 mm

110 mm

570/880 mm

160 kg

31 kg



KEY FEATURES



Securing shape of the spreader bar for the patient's head



Large handlebar for ease of handling



Reduced height of the front castors to pass under the lowest beds

PRESENTATION

It is specially designed for home care use with its 160 kg weight capacity (6 000 N actuator), its compact base, and its mechanical opening legs (up to 88 cm) which allows a better access to wheelchairs.

OPTION



Lithium Battery for more efficiency:
- up to 84 cycles
- 2 years warranty

REFERENCES

With standard battery	FLYERBLUE-CP-PF
With lithium battery	FLYERBLUE-CP-LI-PF

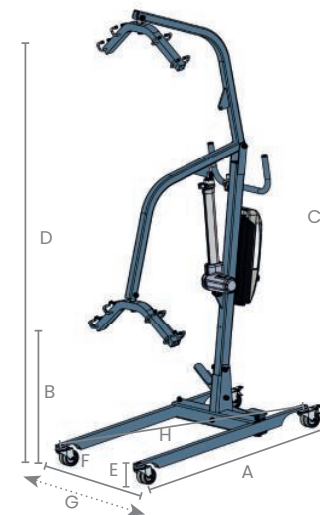
TECHNICAL DATA BLUE FLYER RANGE

BLUE FLYER With Mechanical Opening Legs



DIMENSIONS

- A. Total length: 119 cm
- B. Minimum lifting height: 60 cm
- C. Maximum lifting height: 181 cm
- D. Total height: 134 cm
- E. Frame height: 11 cm
- F. Minimum base width: 65 cm
- G. Maximum base width: 98 cm
- H. Turning diameter: 133 cm

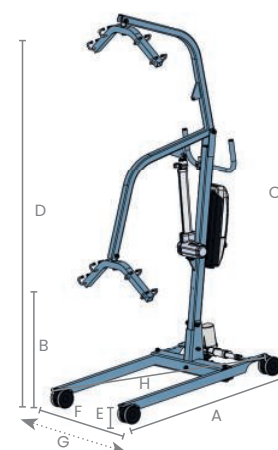


BLUE FLYER With Electrical Opening Legs



DIMENSIONS

- A. Total length: 119 cm
- B. Minimum lifting height: 60 cm
- C. Maximum lifting height: 181 cm
- D. Total height: 134 cm
- E. Frame height: 11,5 cm
- F. Minimum base width: 65 cm
- G. Maximum base width: 118 cm
- H. Turning diameter: 133 cm

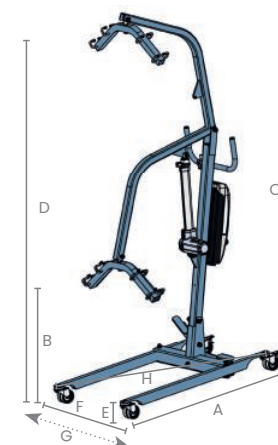


BLUE FLYER COMPACT With Mechanical Opening Legs



DIMENSIONS

- A. Total length: 100 cm
- B. Minimum lifting height: 61 cm
- C. Maximum lifting height: 160 cm
- D. Total height: 126 cm
- E. Frame height: 11 cm
- F. Minimum base width: 57 cm
- G. Maximum base width: 88 cm
- H. Turning diameter: 113 cm



PATIENT LIFTS RANGE Comparative



Weight Capacity
(in kg)



Total Weight
(in kg)



Minimum and
Maximum Lifting Height
(in cm)



Frame Height
(in cm)



Minimum and
Maximum Base
Width (in cm)

FLYER
Mechanical Opening Legs
(page 44)

FLYER PLUS
Mechanical or
Electrical Opening Legs
(page 45)

FLYER COMPACT
Mechanical Opening Legs
(page 46)

FLYER XL
Electrical Opening Legs
(page 47)

NAUSI-FLY
Mechanical Opening Legs
(page 52)

NAUSI-FLY
Electrical Opening Legs
(page 52)

NAUSI-FLY COMPACT
Mechanical Opening Legs
(page 53)

BLUE FLYER
Mechanical Opening Legs
(page 58)

BLUE FLYER
Electrical Opening Legs
(page 58)

BLUE FLYER COMPACT
Mechanical Opening Legs
(page 59)

	Weight Capacity (in kg)	Total Weight (in kg)	Minimum and Maximum Lifting Height (in cm)	Frame Height (in cm)	Minimum and Maximum Base Width (in cm)
FLYER Mechanical Opening Legs (page 44)	160	40	57 / 176	8,5	65 / 109
FLYER PLUS Mechanical or Electrical Opening Legs (page 45)	180	40 (mechanical) 42 (electrical)	59 / 180	8,5	65 / 109 (mechanical) 65 / 114 (electrical)
FLYER COMPACT Mechanical Opening Legs (page 46)	160	38	58 / 160	8,5	52 / 99
FLYER XL Electrical Opening Legs (page 47)	300	55	95 / 172	11	73 / 108
NAUSI-FLY Mechanical Opening Legs (page 52)	180	38	60 / 181	11	65 / 98
NAUSI-FLY Electrical Opening Legs (page 52)	180	40	60 / 181	11	66 / 118
NAUSI-FLY COMPACT Mechanical Opening Legs (page 53)	160	31	61 / 160	11	57 / 88
BLUE FLYER Mechanical Opening Legs (page 58)	180	38	60 / 181	11	65 / 98
BLUE FLYER Electrical Opening Legs (page 58)	180	40	60 / 181	11	66 / 118
BLUE FLYER COMPACT Mechanical Opening Legs (page 59)	160	31	61 / 160	11	57 / 88



PATIENT LIFTS SLINGS

Presentation

Thanks to its innovative vision, attention to detail and high-quality finish, NAUSICAA Medical is the number 1 French manufacturer of hoists slings for over 25 years.

A variety of slings for each specific patient need

Because each patient is unique, it is paramount to select a sling that best suits the patient for comfort, safety and practicality.

We provide a complete range of patient lifts slings to meet all various needs in compliance with REACH legislation and conform to European Standard NF EN ISO 10535:2007,

Compatibility with all devices on the market

For each of our patient lifts, we offer an appropriate sling, which is also compatible with all patient lifts on the market with a 2-point or 4-point spreader bar.

CE Certification

All our slings are CE certified in compliance with EU requirements arising to the product's manufacturer.

Fabric

Our slings are manufactured in polyester, either in jersey, a very easy to handle fabric which provides an optimized and comfortable positioning, or in net which is ideal for bath and toilet as it avoids maceration and is easy to dry.

Washing

All our slings are in Hospital range and are washable at 70°C.

Reach Compliance

Our slings follow the REACH regulation which aims to progressively remove the most dangerous chemical substances in the European Union.



SCAN ME
to view all
devices

PATIENT LIFTS SLINGS RANGE USER GUIDE

Straps Positioning



Low straps crossed between the legs



Low straps crossed under the legs



Low straps uncrossed between the legs

Size Chart

Weight / Sizes	1m50	1m55	1m60	1m65	1m70	1m75	1m80	1m85	1m90 + 1m90
40 kg	S	S	S	S	S	S	M	M	M
45 kg	S	S	S	S	S	S	M	M	M
50 kg	S	S	S	S	S	S	M	M	M
55 kg	S	S	S	S	S	S	M	M	M
60 kg	M	M	M	S	S	S	M	M	M
65 kg	M	M	M	S	S	S	M	M	M
70 kg	M	M	M	M	M	M	M	M	M
75 kg	L	L	M	M	M	M	M	M	M
80 kg	L	L	L	L	M	M	M	M	M
85 kg	L	L	L	L	M	M	M	M	M
90 kg	L	L	L	L	L	L	M	M	M
95 kg	XL	XL	XL	XL	L	L	M	M	M
100 kg	XL	XL	XL	XL	L	L	L	L	L
110 kg	XL	XL	XL	XL	L	L	L	L	L
120 kg	XL	XL	XL	XL	XL	XL	L	L	L
130 kg	XL	XL	XL	XL	XL	XL	XL	XL	XL
160 kg	2 XL	2 XL	2 XL	2 XL	2 XL	2 XL	XL	XL	XL
190 kg	3 XL	3 XL	3 XL	3 XL	2 XL	2 XL	XL	XL	XL
220 kg	3 XL	3 XL	3 XL	3 XL	3 XL	2 XL	2 XL	XL	XL
250 kg	4 XL	4 XL	3 XL	3 XL	3 XL	3 XL	3 XL	2 XL	2 XL
280 kg	4 XL	4 XL	4 XL	4 XL	4 XL	4 XL	3 XL	3 XL	3 XL
320 kg	4 XL	4 XL	4 XL	4 XL	4 XL	4 XL	4 XL	4 XL	4 XL

Sizing is an important element when deciding on a sling.

In order to choose the right sling, the caregiver shall consider the 3 following factors with the patient:

- height
- waist size
- thighs size

Choosing the appropriately sized sling will improve the patient's comfort and safety during transfer.

For this reason, a size colour-code of the edges has been put in place in order to quickly identify the size of each sling:

- to the size S corresponds the Yellow colour
- to the size M corresponds the Red colour
- to the size L corresponds the Green colour
- to the size XL corresponds the Blue colour
- to the size 2 XL, 3XL, 4XL corresponds Orange colour
- to the size TU (one size fits) corresponds the Black colour

Headrests



TAMOV



TABAL



TAMAX

HEADREST

The addition of a headrest helps to take in charge the patient's head and protects the cervical.

3 models are available :

- TAMOV _ removable headrest
- TABAL _ boned headrest
- TAMAX _ removable headrest for XXL slings

UNIVERSAL ECO SLING

Comfort or Bath



The Universal Eco Sling's U-shape avoids the placement of the sling under the patient's buttocks, its leggings comfort foam reduces the shearing effect and the positioning of hooks at the shoulders level avoids the phenomenon of compression during a transfer.

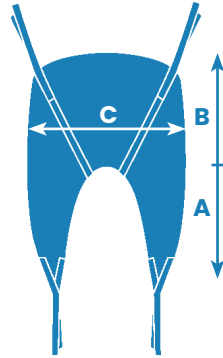
The bath model is preferred for the bath or shower as it is made in net fabric in order to evacuate the water and quickly dry.

We recommend using it for bed to chair to bed transfers.



	REFERENCES
Jersey	SURPC-PF-TU
Net	SURP-PF-TU
Removable Headrest	+TAMOV-PF

TU	A	74
	B	66
	C	88



UNIVERSAL ECO TOILET SLING



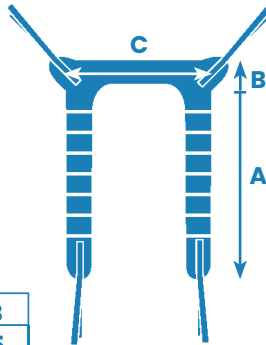
The Universal Eco Toilet Sling's extended U-shape completely frees the patient's buttocks to facilitate the positioning during the toilet and improve the installation and removal of the sling.

We recommend using it for toilet and daily change transfers and we do not advise it for patients with very low tone.



	REFERENCES
Jersey	STORP-PF-TU
Boned Headrest	+TABAL-PF

TU	A	78
	B	25
	C	107





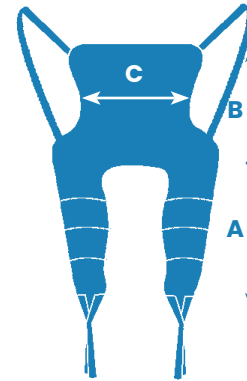
Jersey



FAST ADJUSTABLE ECO SLING (without headrest)

The Fast-Adjustable Eco Sling's foam leggings reduce the pressures exercised on the thighs and the hooks with 2 settings (specifically designed for 2-point spreader bars) allow fast combinations for sitting, semi-sitting and lying transfers.

We recommend using it for bed to chair to bed transfers requiring a management of the head.



TU	A	65
	B	69
	C	76

REFERENCES	
Jersey	SSTRP-PF-TU
Removable Headrest	+TAMOV-PF



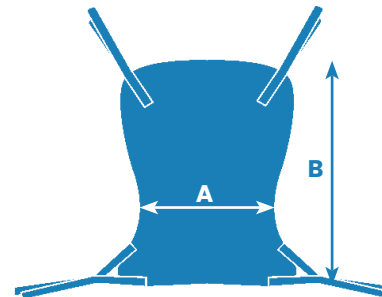
Net



UNIVERSAL ECO HAMMOCK SLING

The Universal Eco Hammock's Sling indented cut on the sides makes it the preferred sling to let under the patient as it has no thickness which causes decubitus ulcers and it is preferred for the bath or shower due to its manufacturing in net fabric.

We recommend using it for "lifting from the floor" transfers in a lying position with the setup done at 180° by practicing a lateralization (page 49).



TU	A	74
	B	121

REFERENCES	
Jersey	HA-RBA-PF-TU
Removable Headrest	+TAMOV-PF



U-SHAPED SLING

Comfort Model

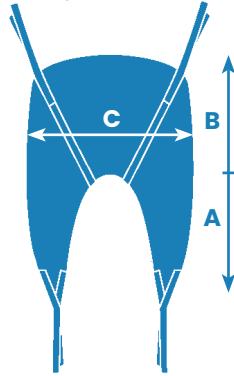


The U-Shaped Sling's avoids the placement of the sling under the patient's buttocks, its leggings comfort foam reduces the shearing effect and the positioning of hooks at the shoulders level avoids the phenomenon of compression during a transfer.

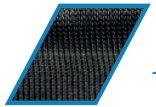
We recommend using it for bed to chair to bed transfers and for "lifting from the floor" transfers in a lying position (page 49).



S	A	58
	B	54
	C	75
M	A	63
	B	58
	C	81
L	A	70
	B	61
	C	91
XL	A	77
	B	66
	C	102



	REFERENCES
Size S	SUCBAS-PF-S
Size M	SUCBAS-PF-M
Size L	SUCBAS-PF-L
Size XL	SUCBAS-PF-XL
Removable Headrest	+TAMOV-PF
Sewed Headrest	+TAT-PF



Jersey

U-SHAPED SLING

Bath Model

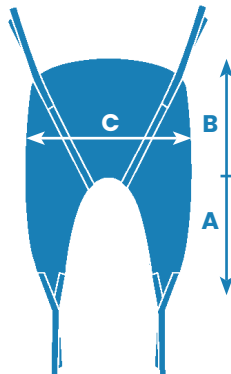


The U-Shaped Sling's avoids the placement of the sling under the patient's buttocks, its leggings comfort foam reduces the shearing effect and the positioning of hooks at the shoulders level avoids the phenomenon of compression during a transfer.

We recommend using it for transfers in a bath, a shower or a pool as it is made in net fabric in order to evacuate the water and quickly dry.



S	A	58
	B	54
	C	75
M	A	63
	B	58
	C	81
L	A	70
	B	61
	C	91
XL	A	77
	B	66
	C	102



	REFERENCES
Size S	SUCBAI-PF-S
Size M	SUCBAI-PF-M
Size L	SUCBAI-PF-L
Size XL	SUCBAI-PF-XL
Removable Headrest	+TAMOV-PF
Sewed Headrest	+TAT-PF



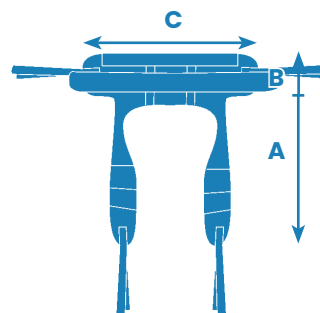
Net



BACKREST TOILET SLING

The Backrest Toilet Sling's extended U-shape completely frees the patient's buttocks to facilitate the positioning to the toilet. In addition, its plastron and padded backrest increase safety and its leggings comfort foam reduce the shearing effect.

We recommend using it for toilet and daily change transfers and we do not advise it for patients with very low tone.



S	A	70
	B	26
	C	78
M	A	84
	B	26
	C	92
L	A	94
	B	26
	C	104
XL	A	105
	B	26
	C	120

REFERENCES	
Size S	SATL-PF-S
Size M	SATL-PF-M
Size L	SATL-PF-L
Size XL	SATL-PF-XL
Removable Headrest	+TAMOV-PF



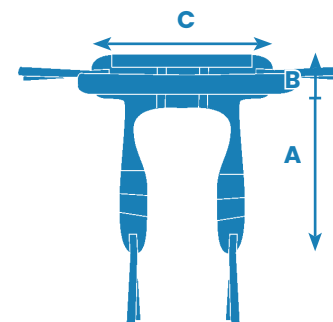
Jersey



QUICK TOILET SLING

The Quick Toilet Sling's extended U-shape completely frees the patient's buttocks to improve the installation and removal of the sling, besides its leggings and back part in foam which distribute the pressures exercised on the thighs.

We recommend using it for toilet and daily change transfers and we do not advise it for patients with very low tone.



S	A	67
	B	26
	C	78
M	A	85
	B	26
	C	95
L	A	90
	B	26
	C	108
XL	A	100
	B	26
	C	122

REFERENCES	
Size S	STO-PF-S
Size M	STO-PF-M
Size L	STO-PF-L
Size XL	STO-PF-XL
Boned Headrest	+TABAL-PF



Jersey



FAST ADJUSTABLE SLING

Comfort Model

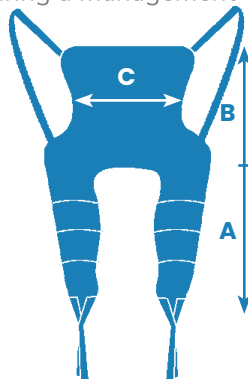


The Fast Adjustable Sling's integrated and boned headrest protects the cervical for patients without head support, its foam leggings reduce the pressures exercised on the thighs and the hooks with 2 settings (specifically designed for 2-point spreader bars) allow fast combinations for sitting, semi-sitting and lying transfers.

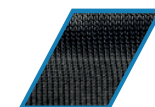
We recommend using it for bed to chair to bed transfers requiring a management of the head support.



S	A	58
	B	85
	C	65
M	A	67
	B	93
	C	76
L	A	74
	B	93
	C	83
XL	A	80
	B	100
	C	92



	REFERENCES
Size S	SML-PF-S
Size M	SML-PF-M
Size L	SML-PF-L
Size XL	SML-PF-XL



Jersey

FAST ADJUSTABLE SLING

Bath Model

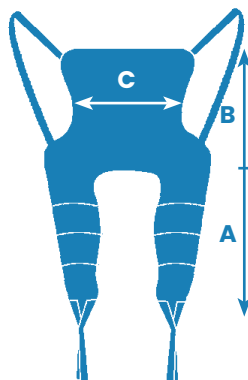


The Fast Adjustable Sling's integrated and boned headrest protects the cervical for patients without head support, its foam leggings reduce the pressures exercised on the thighs and the hooks with 2 settings (specifically designed for 2-point spreader bars) allow fast combinations for sitting, semi-sitting and lying transfers.

We recommend using for transfers, requiring a management of the head support, in a bath, a shower or a pool as it is made in net fabric in order to evacuate the water and quickly dry.



S	A	58
	B	85
	C	65
M	A	67
	B	93
	C	76
L	A	74
	B	93
	C	83
XL	A	80
	B	100
	C	92



	REFERENCES
Size S	SMLBA-PF-S
Size M	SMLBA-PF-M
Size L	SMLBA-PF-L
Size XL	SMLBA-PF-XL



Net

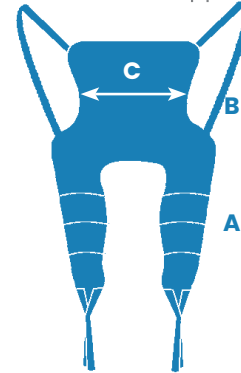


FAST ADJUSTABLE SLING

Comfort Model (without headrest)

The Fast Adjustable Sling's (without headrest) foam leggings reduce the pressures exercised on the thighs and the hooks with 2 settings (specifically designed for 2-point spreader bars) allow fast combinations for sitting, semi-sitting and lying transfers.

We recommend using it for bed to chair to bed transfers requiring a management of the head support (with the addition of removable headrest).



S	A	59
	B	62
	C	60
M	A	67
	B	68
	C	64
L	A	65
	B	78
	C	71
XL	A	70
	B	72
	C	90



REFERENCES	
Size S	SST-PF-S
Size M	SST-PF-M
Size L	SST-PF-L
Size XL	SST-PF-XL
Removable Headrest	+TAMOV-PF



Jersey

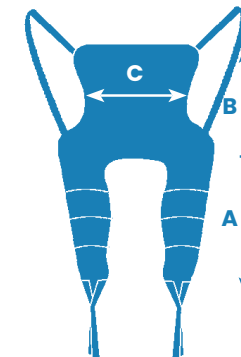


FAST ADJUSTABLE SLING

Bath Model (without headrest)

The Fast Adjustable Sling's (without headrest) foam leggings reduce the pressures exercised on the thighs and the hooks with 2 settings (specifically designed for 2-point spreader bars) allow fast combinations for sitting, semi-sitting and lying transfers.

We recommend using for transfers in a bath, a shower or a pool requiring a management of the head support (with the addition of removable headrest) as it is made in net fabric in order to evacuate the water and quickly dry.



S	A	58
	B	85
	C	65
M	A	67
	B	93
	C	76
L	A	74
	B	93
	C	83
XL	A	80
	B	100
	C	92



REFERENCES	
Size S	SSTBA-PF-S
Size M	SSTBA-PF-M
Size L	SSTBA-PF-L
Size XL	SSTBA-PF-XL
Removable Headrest	+TAMOV-PF



Net

STANDARD HAMMOCK SLING

Comfort Model



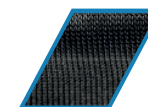
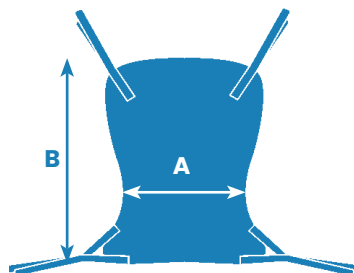
The Standard Hammock Sling's indented cut on the sides makes it the preferred sling to let under the patient as it has no thickness which cause decubitus ulcers and its leggings comfort foam reduces the shearing effect.

We recommend using it for bed to chair to bed transfers where the sling remains on the chair.



S	A B	62 96
M	A B	66 104
L	A B	74 113
XL	A B	83 121

	REFERENCES
Size S	SHAC-PF-S
Size M	SHAC-PF-M
Size L	SHAC-PF-L
Size XL	SHAC-PF-XL
Removable Headrest	+TAMOV-PF
Sewed Headrest	+TAT-PF



Jersey

STANDARD HAMMOCK SLING

Bath Model



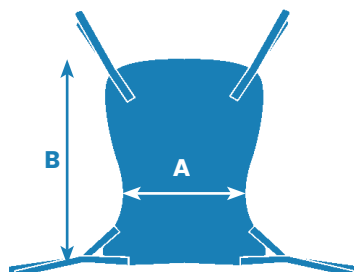
The Standard Hammock Sling's indented cut on the sides makes it the preferred sling to let under the patient as it has no thickness which cause decubitus ulcers and its leggings comfort foam reduces the shearing effect.

We recommend using for transfers where the sling remains on the chair in a bath, a shower or a pool as it is made in net fabric in order to evacuate the water and quickly dry.



S	A B	62 96
M	A B	66 104
L	A B	74 113
XL	A B	83 121

	REFERENCES
Size S	SHABA-PF-S
Size M	SHABA-PF-M
Size L	SHABA-PF-L
Size XL	SHABA-PF-XL
Removable Headrest	+TAMOV-PF
Sewed Headrest	+TAT-PF



Net

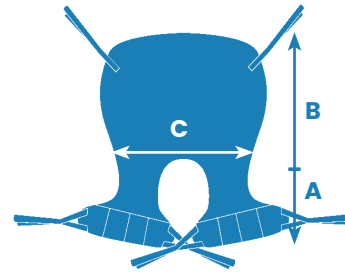


HAMMOCK WITHOUT CROSSING SLING

Comfort Model

The Hammock Without Crossing Sling is a hammock sling with a U-shape which avoids both hips tightness and the placement of the sling under the patient's buttocks, making the installation and removal comfortable for the patient and accommodating for the caregiver.

We recommend using it for bed to chair to bed transfers for amputees and for "lifting from the floor" transfers in a lying position (page 49).



S	A	41
	B	56
	C	61
M	A	48
	B	56
	C	68
L	A	51
	B	63
	C	76
XL	A	54
	B	65
	C	96

REFERENCES	
Size S	SUCPEHA-PF-S
Size M	SUCPEHA-PF-M
Size L	SUCPEHA-PF-L
Size XL	SUCPEHA-PF-XL
Removable Headrest	+TAMOV-PF
Sewed Headrest	+TAT-PF



Presented model:
with sewed headrest



Jersey

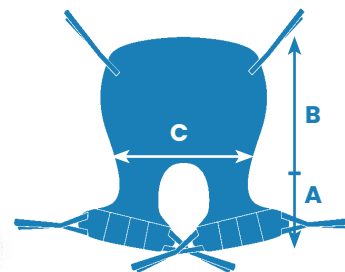


HAMMOCK WITHOUT CROSSING SLING

Bath Model

The Hammock Without Crossing Sling is a hammock sling with a U-shape which avoids both hips tightness and the placement of the sling under the patient's buttocks, making the installation and removal comfortable for the patient and accommodating for the caregiver.

We recommend using it for transferring amputees in a bath, a shower or a pool as it is made in net fabric in order to evacuate the water and quickly dry.



S	A	41
	B	56
	C	61
M	A	48
	B	56
	C	68
L	A	51
	B	63
	C	76
XL	A	54
	B	65
	C	96

REFERENCES	
Size S	SUCBAHA-PF-S
Size M	SUCBAHA-PF-M
Size L	SUCBAHA-PF-L
Size XL	SUCBAHA-PF-XL
Removable Headrest	+TAMOV-PF
Sewed Headrest	+TAT-PF



Net

ENVELOPING SLING



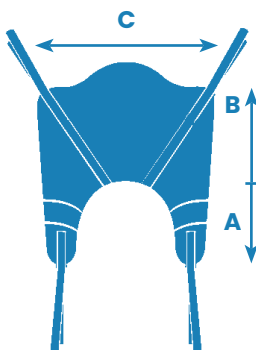
The Enveloping Sling's integrated and boned headrest in addition to its enveloping shape make it suitable for the transfers of agitated and anxious patients.

Its U-shape avoids the placement of the sling under the patient's buttocks making the positioning more comfortable for the patient.

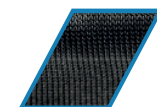
We recommend using it for bed to chair to bed transfers and for "lifting from the floor" transfers in a lying position (page 49).



S	A	60
	B	85
	C	97
M	A	73
	B	90
	C	110
L	A	74
	B	94
	C	124
XL	A	77
	B	102
	C	136



	REFERENCES
Size S	SLK-PF-S
Size M	SLK-PF-M
Size L	SLK-PF-L
Size XL	SLK-PF-XL



Jersey

ERGONOMIC SLING



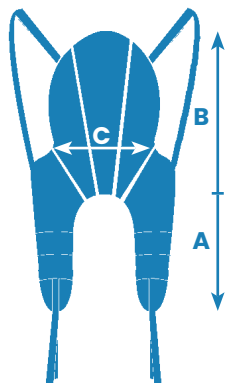
The Ergonomic Sling's back part associated with its headrest in rigid foam lined with a 3D fabric increase comfort and allow to protect the spine during transfers.

Its high level of comfort and its integrated rigid headrest make it suitable for the transfers of agitated and anxious patients.

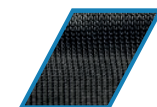
We recommend using it for bed to chair to bed transfers and for "lifting from the floor" transfers in a lying position (page 49).



S	A	57
	B	90
	C	60
M	A	60
	B	93
	C	70
L	A	72
	B	96
	C	80
XL	A	75
	B	103
	C	90



	REFERENCES
Size S	SMB-PF-S
Size M	SMB-PF-M
Size L	SMB-PF-L
Size XL	SMB-PF-XL



Jersey

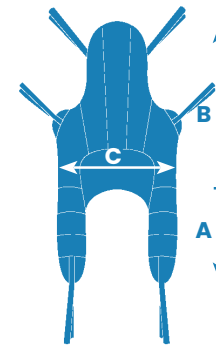


BACKREST SLING

The Backrest Sling's U-shape associated with the net portion beneath the buttocks make the installation and removal comfortable for the patient and accommodating for the caregiver.

Its back part associated with the headrest in rigid foam and the full stiffener allow to protect the spine during transfers.

We recommend using it for bed to chair to bed transfers and for "lifting from the floor" transfers in a lying position for specific pathologies (page 49).



S	A	58
	B	90
	C	66
M	A	65
	B	96
	C	76
L	A	69
	B	99
	C	80
XL	A	74
	B	104
	C	89



REFERENCES	
Size S	SGLDOS-PF-S
Size M	SGLDOS-PF-M
Size L	SGLDOS-PF-L
Size XL	SGLDOS-PF-XL

Jersey



XXL SLINGS

The following models, U-Shaped Sling - comfort and bath models (page 66), Quick Toilet Sling (page 67) and Hammock Without Crossing Sling - comfort model (page 71), are all available in several XL sizes (2 XL, 3 XL or 4 XL).

We recommend using them for transfers of bariatric patients.



U-Shaped Sling Comfort Model



U-Shaped Sling Bath Model



Hammock Without Crossing



Quick Toilet Sling



REFERENCES	
U-Shaped Sling-Jersey	SUCBAS-PF-2XL-3XL-4XL
U-Shaped Sling-Bath	SUCBAIT-PF-2XL-3XL-4XL
Hammock Without Crossing	SUCPEHAT-PF-2XL-3XL-4XL
Quick Toilet Sling	STO-PF-2XL-3XL-4XL
Removable Headrest	+TAMAX-PF



MANUAL HANDLING

Presentation



SCAN ME
to view all
devices

All products of this range do not require electrical power to operate and thus are always ready for daily transfer tasks. They are perfectly adapted when the patient just needs to be accompanied.

With NAUSICAA Medical's Manual Handling range, the caregiver can make a transfer as a safe and comfortable help.

It must be privileged rather than motorized transfer whenever the patient's condition allows it in order to encourage patients' mobility and promote independence and dignity.

It helps to fight against the bedridden process and makes simple gestures of everyday life a great way to rehabilitate and socially exchange between the patient and the caregiver.



Certified



Quality



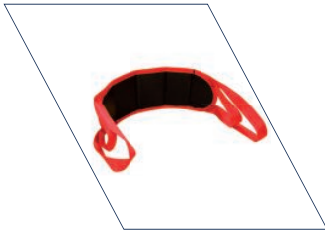


LIFTING BELT



The Lifting Belt is used to raise a sitting person and preserves the caregiver of awkward postures during manual transfers.

Its inside fabric is in anti-slipping PU coating.



	REFERENCES
Size M	CREL-PF-M
Size L	CREL-PF-L



WALKING AID & LIFTING BELT



The Walking Aid & Lifting Belt is designed to prevent poor handling during manual transfers and is used on the patient as a walking aid for a safe handling.

As a lifting device, it is used around the patient's waist to provide a gripping point to the caregiver.

It is equipped with a self-centering 50 mm buckle to adjust the belt around the patient's waist.



	REFERENCES
Size M	CADM2-PF-S
Size L	CADM2-PF-M
Size M	CADM2-PF-L
Size L	CADM2-PF-XL

ACTIV'UP

With Mechanical Opening Legs

Made in France
CE
 WARRANTY 5 YEARS

150 kg
 29 kg



The ACTIV'UP is a versatile device for active transfers as it is:



1. A lifting aid handlebar



2. A secure seated or standing transfer system



3. A walking aid

PRESENTATION

The ACTIV'UP is used in rehabilitation to stimulate the patient during a transfer.

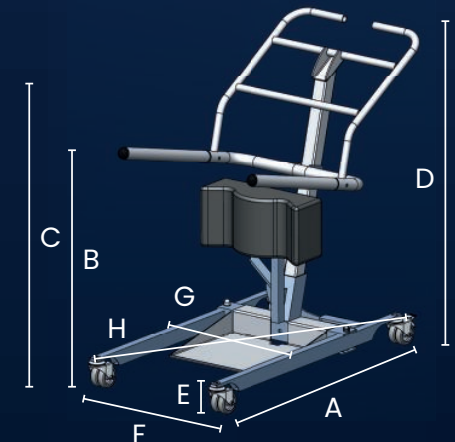
It encourages patients to participate in their daily transfers, allowing them to improve their blood circulation, breathing, transit and muscle tone.

REFERENCE

ACTIVUP-PF

TECHNICAL DATA

- A. Total length: 100 cm
- B. Minimum lifting height: 75 cm
- C. Maximum lifting height: 89 cm (with extension)
- D. Total height: 145 cm
- E. Height of chassis: 11 cm
- F. Minimum base width: 57 cm
- G. Maximum base width: 88 cm
- H. Turning diameter: 112 cm





ACTIV'UP SLING

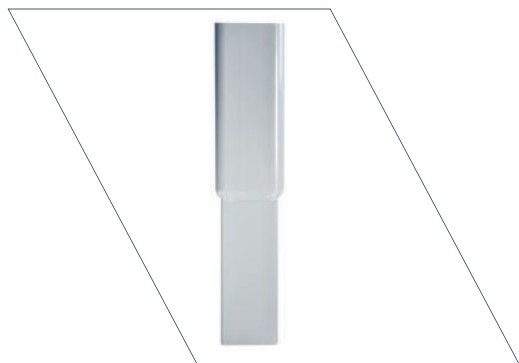


The ACTIV'UP sling is specially designed to be used with the ACTIV'UP to help the patient during the lifting process and can serve as a back panel for sitting positions.

	REFERENCE
ACTIV'UP SLING	ACT-SGL-PF



EXTENSION



The extension raises the height of the mast of 14 cm for taller patients when used as a walking aid.

	REFERENCE
ACTIV'UP EXTENSION	ACT-RAL



BEDS & PRESSURE CARE Presentation

NAUSICAA Medical provides a complete range of Medical beds and Pressure Care Systems (pumps and air mattresses) which focuses on high level quality to provide the patient with the best comfort during use.

MEDICAL BEDS

Our uncompromising approach to the engineering of a product, from concept to manufacture, has allowed us to produce a range designed to manage risk effectively while providing safety for the patient and caregiver.

All our medical beds are compliant to European Standard EN ISO 60601-1 and EN ISO 60601-2-52 for performance and safety which both focus on many aspects including electrical safety, load bearing, stability and durability – most notably on reducing risk of patient entrapment in and around the bed frame.

PRESSURE CARE SYSTEMS

Our pressure care systems are specially conceived to respond precisely to the patient's pathology depending on the ulcer stage and the risk level (user guide page 84).

They are designed to improve patient clinical results through the management of the complications caused by immobility and to ensure an effective support for the prevention and treatment of pressure ulcers.

BED TEXTILE DEVICES

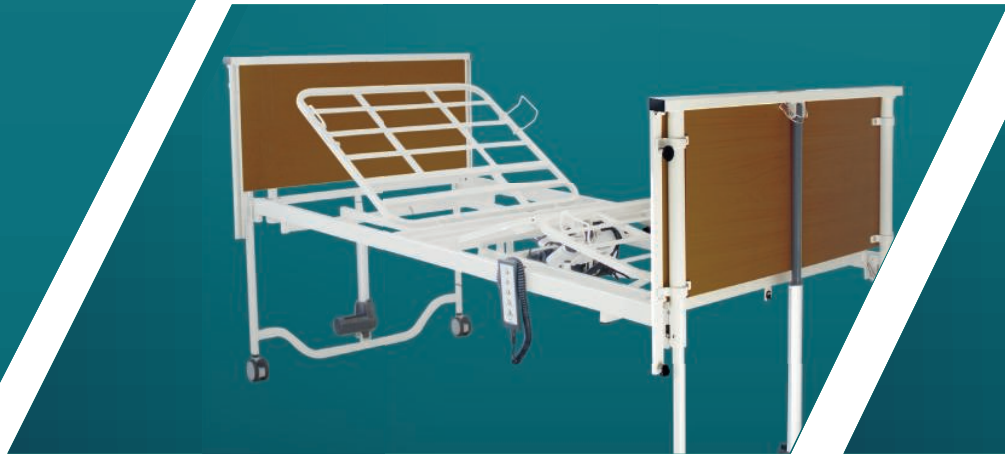
We also provide Bed Textile Devices to complement and further enhance the use of our Medical Beds and Pressure Care Systems.





SCAN ME
to view all
devices

OVERVIEW



CONVERTISS 5F
STANDARD PLUS 80



CONVERTISS 6F
FOLDING PREMIUM 81



NAUSIFLOW 2S
SYSTEM 86



NAUSIFLOW 100
AUTO QUATTRO
SYSTEM 87



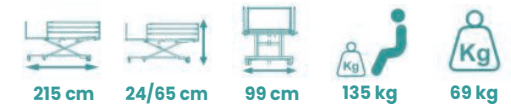
NAUSIFLOW 2
SYSTEM 88



NAUSIFLOW 100
MAXI SYSTEM 89

CONVERTISS

Standard Plus



KEY FEATURES



Transport kit



Patient lifting pole in order to easily stand up with a stable point of support



Pair of folding side rails for more safety

PRESENTATION

The CONVERTISS Standard Plus, whose maximum weight capacity is 135 kg, is equipped with 4 actuators allowing 5 different functions: variable height, raising backrest section, adjustable leg rest section, chair position and Trendelenburg position.

Easy to use, it can be split into 4 pieces weighing less than 20 kg and can be assembled without tools.

Its space saving storage facility is the main interest to Nursing, Care Home and Community environments.

The Trendelenburg position (and reverse Trendelenburg) is made to enhance venous return to the heart and prevents pooling of blood in the lower extremities.

Head and foot sections also can be adjusted for the patient's comfort.

Depending on the patient's morphology and pathology of the patient, the height of the bed can be adjusted from 65 cm to 25 cm from the floor to permits an ease of access to the bed.

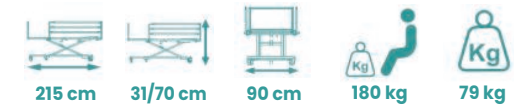
As an option, in addition to a full-length side rails and a bed lever to enhance the use of the bed, an enlargement kit is available (see page 82) to extend the sleeping width up to 120 cm and increase the length up to 220 cm.

REFERENCE

NAUSIBED-5F

CONVERTISS

Folding Premium



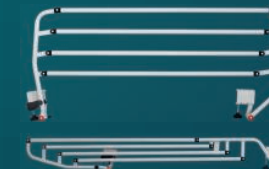
KEY FEATURES



Quick electric folding and unfolding function



Patient lifting pole in order to easily stand up with a stable point of support



Pair of folding side rails for more safety

PRESENTATION

The CONVERTISS Folding Premium offers the same functions as the CONVERTISS Standard Plus with the addition of a folding/unfolding electrical system for easy transport and installation along with an enhanced weight capacity of 180 kg.

It is a home care electric folding bed which has been specially designed to be installed by just one person; as simple as pressing a button on the remote control, the installer can unfold the bed very quickly.

Head and foot sections can be adjusted for the patient's comfort and the height can be adjusted from 70 cm to 30 cm from the floor.

As an option, in addition to a full-length side rails and a bed lever to enhance the use of the bed, an enlargement kit is available (see page 82) to extend the sleeping width up to 120 cm.

REFERENCE

NAUSIBED-6F

Accessories



Enlargement kit available to obtain a width of 120 cm

Compatible with foldable side rails - CONVERTISS Standard Plus - CONVERTISS Folding Premium - Bed Lever



Pair of full length side rails aluminum wood look

Compatible with CONVERTISS Standard Plus - CONVERTISS Folding Premium

Caution: this option is not compatible with the enlargement kit



Bed Lever for the patient to easily to get out of bed

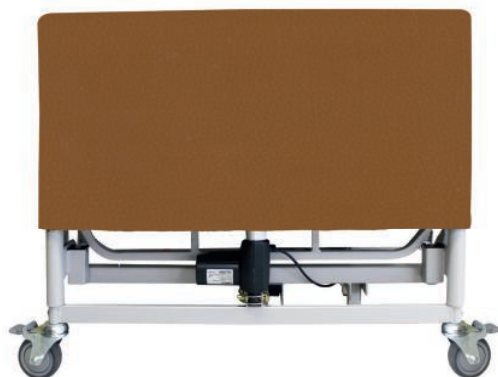
Compatible with CONVERTISS Standard Plus - CONVERTISS Folding Premium



Wooden bed end panel covers are easily fitted to provide a more "home look"

Compatible with CONVERTISS Folding Premium

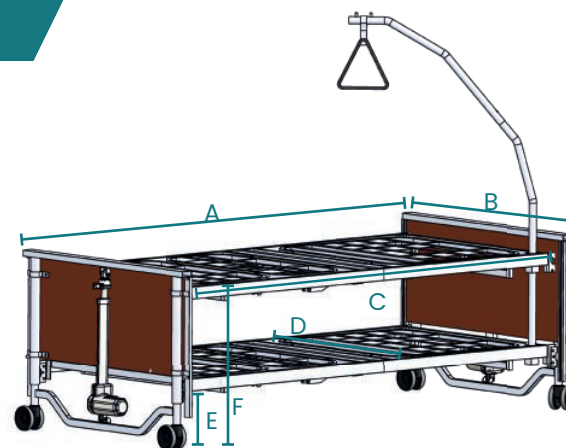
Textile Coatings



Color Panel



CONVERTISS Standard Plus



UNFOLDED DIMENSIONS

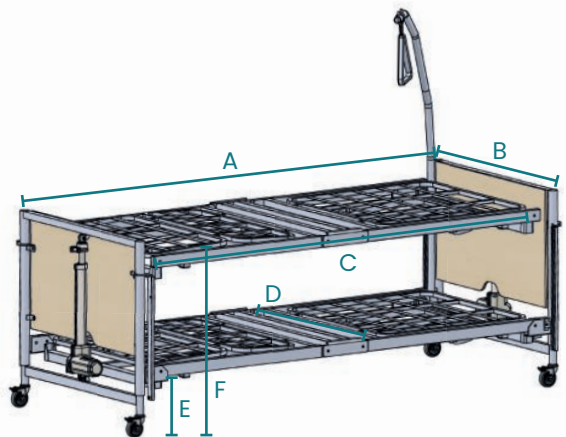
- A. Overall length: 215 cm
- B. Overall width: 99 cm
- C. Bed base length: 203 cm
- D. Bed base width: 83,5 cm
- E. Minimum height: 24 cm
- F. Maximum height: 65 cm



FOLDED DIMENSIONS

- A. Folded bed width: 45 cm
- B. Folded bed length: 99 cm
- C. Folded bed height: 135 cm

CONVERTISS Folding Premium



UNFOLDED DIMENSIONS

- A. Overall length: 215 cm
- B. Overall width: 90 cm
- C. Bed base length: 203 cm
- D. Bed base width: 83,5 cm
- E. Minimum height: 31 cm
- F. Maximum height: 70 cm



FOLDED DIMENSIONS

- A. Folded bed width: 44 cm
- B. Folded bed length: 90 cm
- C. Folded bed height: 117 cm

USER GUIDE PART 1

How to select the right system?

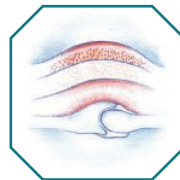
To select the correct system air mattress with pump, it is important to check at first pressure ulcers stages, then the Norton scale to fully evaluate the patient and then follow the user guide scheme to find the right product.

Step 1:

Determine the pressure ulcer stage

STAGE 1

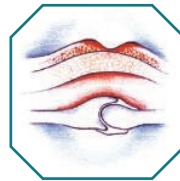
Erythema not whitening on pressure, without any skin breakage. Discoloration of the skin, heat, oedema, and more or less induration can also be indicators, especially with dark skinned patients.



STAGE 1

STAGE 2

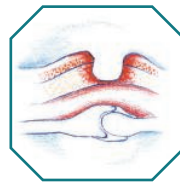
Skin loss of partial thickness on the epidermis or dermis, which may be in the form of blisters, abrasions or superficial lesions.



STAGE 2

STAGE 3

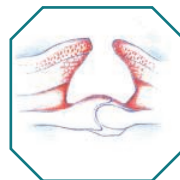
Loss of skin of full thickness on the subcutaneous layer, without penetration of the fascia (membrane protecting the muscle). The ulcer is in the form of a deep lesion and may or may not affect the underlying tissues.



STAGE 3

STAGE 4

Complete skin loss with extension of the ulcer to the muscles, or even to the bones.



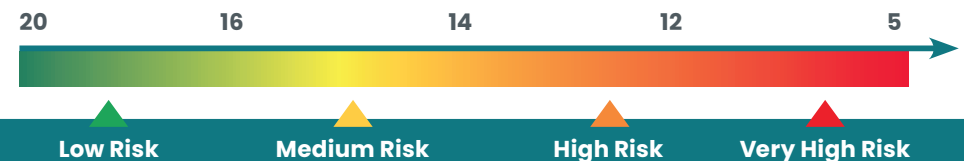
STAGE 4

NORTON SCALE

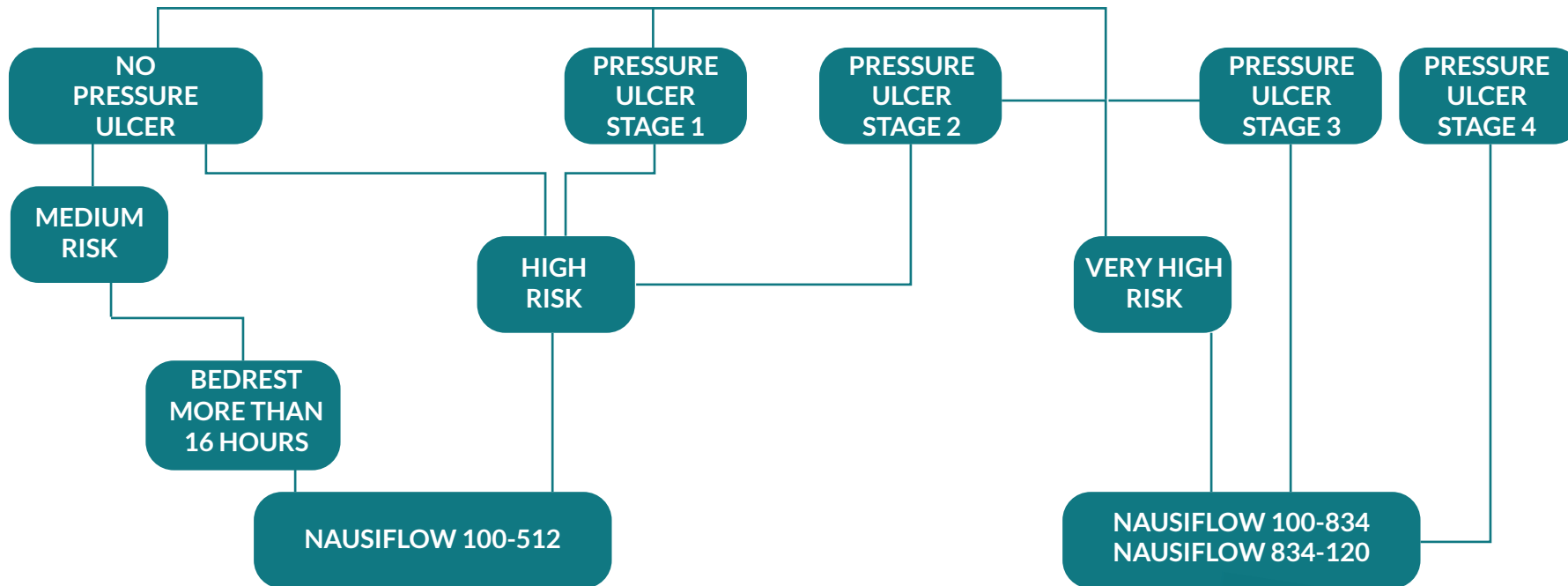
Step 2: Assess the risk of pressure ulcer with the Norton Scale

PHYSICAL CONDITION	GOOD	4
	FAIR	3
	POOR	2
	VERY BAD	1
MENTAL CONDITION	ALERT	4
	APATHETIC	3
	CONFUSED	2
	STUPOROUS	1
ACTIVITY	AMBULANT	4
	WALKS WITH HELP	3
	CHAIRBOUND	2
	BEDFAST	1
MOBILITY	FULL	4
	SLIGHTLY IMPAIRED	3
	VERY LIMITED	2
	IMMOBILE	1
INCONTINENCE	NONE	4
	OCCASIONAL	3
	USUALLY URINARY	2
	URINARY AND FECAL	1

Greater than 18	Low Risk
Between 18 and 14	Medium Risk
Between 14 and 10	High Risk
Lesser than 10	Very High Risk



Step 3: Follow the user guide scheme and select the right mattress



NAUSIFLOW 100-512
Pages 86-87-88

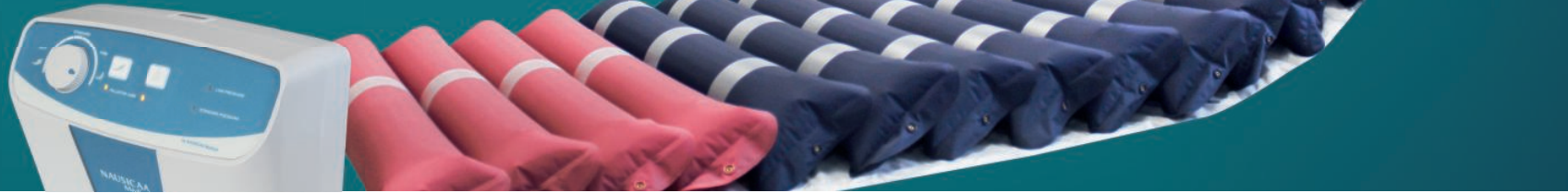


NAUSIFLOW 100-834
Page 87



NAUSIFLOW 834-120
Page 89

NAUSIFLOW 2S System



130 kg
 WARRANTY 3 YEARS
 CE
 Decubitus Level

NAUSIFLOW 2S Pump

It operates in alternating/static modes up to 130 kg, is intended for the prevention of very high-risk levels and is used as a care support for stage 3 pressure ulcers.

Equipped with a high-speed pump, it features a static operating mode to ensure treatment in palliative care.



KEY FEATURES

- 01** Standard pressure setting: ability to manually adjust the pressure to optimize patient comfort
- 02** Palliative care mode: activates the static mode
- 03** Visual and audible alarm: low pressure required indicator
- 04** Self-management of seating positions (less than 2 hours)
Management of seating positions (over 2 hours)

NAUSIFLOW 100-512 Air Mattress

Its compartmented configuration and its adjusted size (17 x 85 x 200 cm - 13 cm air height - 4 cm foam under-mattress) fits any type of 90 cm width bed (box spring from 85 to 90 cm).

It is equipped with an alternating heel section (4 cells) and a static head section (3 cells) to increase patient comfort.



Independent cells in polyurethane on nylon frame



Transport mode



CPR

REFERENCES	
NAUSIFLOW 2S Pump	NA2S-COMP-PM
NAUSIFLOW 100-512 Mattress	NA512-MAT85-PM
NAUSIFLOW 2S System	NA2S512-SYS

NAUSIFLOW 100 AUTO QUATTRO System



150 kg

WARRANTY
3
YEARS



4
Decubitus
Level



NAUSIFLOW 100 AUTO QUATTRO Pump

It operates in alternating/static modes up to 150 kg, is designed for the care of stage 4 pressure ulcers and is used for prevention on very high-risk levels.

It automatically adjusts to any air level, is equipped with a key lock, a timed care position, a classic dynamic mode, a secured static mode in low continuous pressure, a sitting position and 3 comfort programs.



KEY FEATURES

- 01** 4 different modes of air flow
- 02** 4 different programs of pressure level
- 03** Timed care position
- 04** Panel lock

NAUSIFLOW 100-512 - NAUSIFLOW 100-834 Air Mattresses

All information on the NAUSIFLOW 100-512 Air Mattress can be found on page 86. The NAUSIFLOW 100-834 Air Mattress is equipped with 8-shaped cells which enable patient immersion by reducing contact pressure and it allows multiple configurations due to its dischargeable cells with plug.

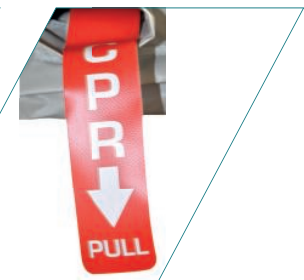
Its compartmented configuration with a double layer of air and its adjusted size (20 x 85 x 200 cm – 20 cm full air height) fit any type of 90 cm width bed (box spring from 85 to 90 cm).



Independent cells in polyurethane on nylon frame



Transport mode



CPR

REFERENCES	
NAUSIFLOW AUTO 100 QUATTRO Pump	NA100QTO-COMP-PM
NAUSIFLOW 100-512 Mattress	NA512-MAT85-PM
NAUSIFLOW 100-834 Mattress	NA834-MAT85-PM
NAUSIFLOW 100 AUTO System 512	NA100QTO512-SYS
NAUSIFLOW 100 AUTO System 834	NA100QTO834-SYS

NAUSIFLOW 2 System



130 kg
WARRANTY 3 YEARS
CE
Decubitus Level

NAUSIFLOW 2 Pump

It operates in alternating mode up to 130 kg, is intended for the prevention of very high-risk levels and is used as a care support for stage 3 pressure ulcers.

It has a standard pressure setting and its high flow pump allows to manage a wide range of mattresses.



KEY FEATURES

- 01** Standard pressure settings: ability to manually adjust the pressure to optimize patient comfort
- 02** Self-management of seating positions (less than 2 hours)
Management of seating positions (over 2 hours)
- 03** Power On/Off button
- 04** Visual and audible alarm: low pressure

NAUSIFLOW 100-512 Air Mattress

Its compartmented configuration and its adjusted size (17 x 85 x 200 cm - 13 cm air height - 4 cm foam under-mattress) fits any type of 90 cm width bed (box spring from 85 to 90 cm).

It is equipped with an alternating heel section (4 cells) and a static head section (3 cells) to increase patient comfort.



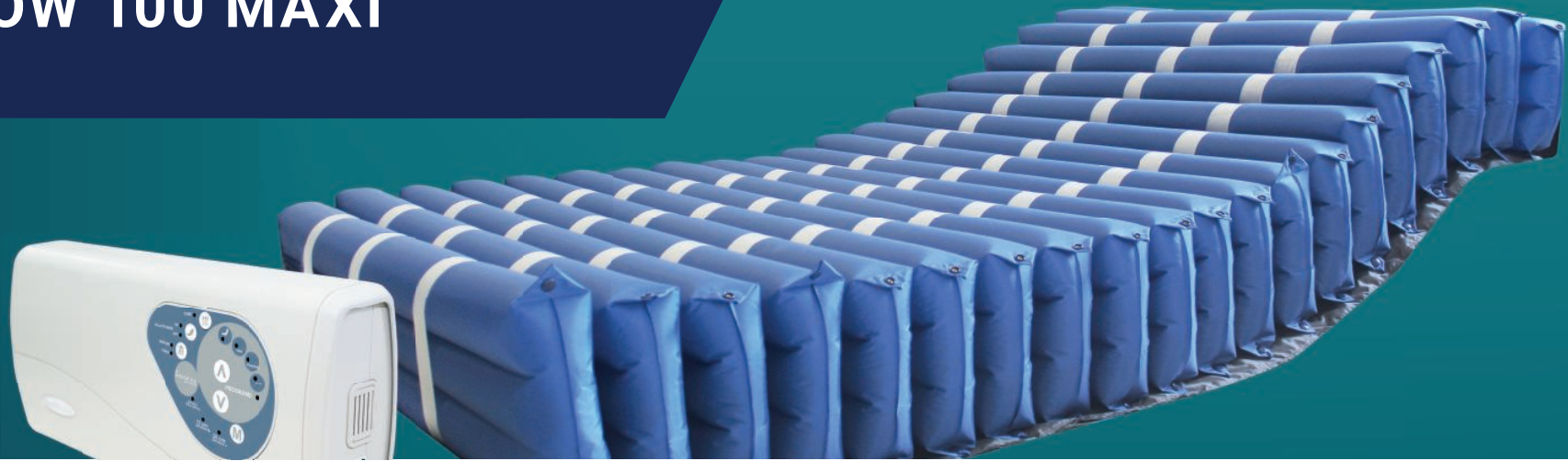
Independent cells in polyurethane on nylon frame

Transport mode

CPR

REFERENCES	
NAUSIFLOW 2 Pump	NA2-COMP-PM
NAUSIFLOW 100-512 Mattress	NA512-MAT85-PM
NAUSIFLOW 2 System	NA2512-SYS

NAUSIFLOW 100 MAXI System



WARRANTY
3
YEARS



4
Decubitus
Level

NAUSIFLOW 100 MAXI Pump

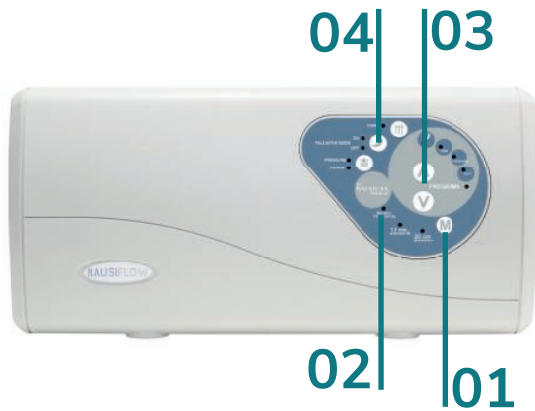
It manages bariatric patients up to 300 kg, operates in alternating/static modes, is designed for the care of stage 4 pressure ulcers and is used for prevention on very high-risk levels.

Its high-speed pump can manage a wide range of air mattress (up to 20 cm air height/140 cm in width) and it features a static operating mode to ensure treatment in palliative care.

NAUSIFLOW 834-120 Air Mattress

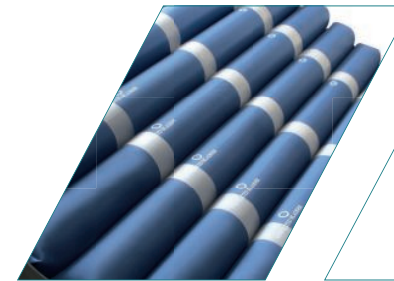
It is adapted to the single sleeping width of 120 cm (20 x 120 x 200 cm - 20 cm full air height) for bariatric patients up to 300 kg.

It is equipped with 8-shaped cells which enable patient immersion by reducing contact pressure.



KEY FEATURES

- 01** Management of air mattresses height: 13 or 20 cm
- 02** Bariatric program for patients above 150 kg
- 03** 4 different programs available (flexible, standard, firm, sitting position for more than 2 hours)
- 04** Palliative care mode: activates the static mode



Independent cells in polyurethane on nylon frame



Transport mode



CPR

REFERENCES	
NAUSIFLOW 100 MAXI Pump	NA100MAXI-COMP-PM
NAUSIFLOW 834-120-20 Mattress	NA834-MAT120-PM
NAUSIFLOW 100 MAXI System 834-120	NA100MAXI834120SYS

SIDE RAIL PADS



The Side Rail Pads are installed on the bed barriers as a prevention for the patient from moving its limbs through the bed rails and from direct contact with the frame.

The quick and easy fixation to the bed barriers is made thanks to adjustable buckles (25 mm).

The removable foam cover is manufactured in a flame-retardant fabric (classified CRIB 5).



3 MODELS



Long model



4 Sides model



Short model

REFERENCES

Long Model	PROBAR-PF-L
Short Model	PROBAR-PF-M
4 Sides Model	PROBAR-PF-INT



SLIDE SHEETS

For the handling of a patient, the Slide Sheet is a device which facilitates lateral and vertical translation as well as the raising of a lying patient in a bed.

The sliding effect facilitates the work of caregivers by reducing friction due to the patient's body weight during handling.

It is composed of synthetic fabric polyester tube in polyurethane induction, the 2 layers of fabric in contact slide on one another.

It is absolutely not intended to carry a patient during a transfer hence the reason it does not have a maximum weight capacity.

REFERENCES	
1 Piece	DGL-195-70-PF, DGL-140-110-PF, DGL-130-70-PF, DGL-80-70-PF, DGL-48-48-PF
5 Pieces	DGL5-195-70-PF, DGL5-140-110-PF, DGL5-130-70-PF, DGL5-80-70-PF, DGL5-48-48-PF



SLIDE SHEETS WITH HANDLES

A model with handles is also available to simplify the use for the caregiver.

REFERENCES	
1 Piece	DTR-195-70-PF, DTR-140-110-PF, DTR-130-70-PF
5 Pieces	DTR5-195-70-PF, DTR5-140-110-PF, DTR5-130-70-PF

SLIDING GLOVES



Manufactured in the same fabric as the slide sheets with ultra-low friction materials, sliding gloves allow to easily reposition a patient in a bed.

They must be placed on the caregiver hands to be effective.



	REFERENCES
1 Piece	MDG-PF (by pair)
5 Pieces	MDG-5-PF (by 5 pairs)

PELVIC SUPPORT BELT



It is designed to prevent patients from falling, to compensate slackening of abdominal muscles and to position in bed as it provides a secure positioning through a strengthened pelvic comfort.

Its main goal is to provide a stable position and we recommend using it in a bed.



	REFERENCES
Size S	CMLP2HP-PF-S
Size M	CMLP2HP-PF-M
Size L	CMLP2HP-PF-L
Size XL	CMLP2HP-PF-XL



Security Wrist Fasteners



Ankle Fasteners



Padded Wrist Fasteners

PADDED WRIST FASTENERS

Wrist Fasteners are installed around the wrists in order to prevent bruises and injuries due to removal attempts.

SECURITY WRIST FASTENERS

A security version of the wrist fasteners is available for a stronger contention for agitated patients.

ANKLE FASTENERS

Ankle Fasteners maintain the patient's ankles while allowing freedom of movement.

REFERENCES	
Padded wrist fasteners	LMATPO-PF (BY PAIR)
Security wrist fasteners	LMATPOS-PF (BY PAIR)
Ankle Fasteners	LMATCH-PF (BY PAIR)



Small Model



Large Model

The Heel Pads allow to relieve pressure points and to wrap the foot in a fur trim thus preventing rubbings on the heels and malleoli.

They are especially helpful after an injury or post-surgery as they help prevent pressure ulcers.

They are available in 2 different models: small and large.

REFERENCES	
Large Model	LMTAL2-PF
Small Model	LMTALI-PF



PATIENT POSITIONING

Presentation

Since 1993, our main focus is on manufacturing the best postural support products to maintain a comfortable and secure posture of patients while preventing falls for every wheelchair and comfort chair user.

We continually explore new positioning solutions while also evaluating our current products for possible enhancements.

In complement, some additional devices participate in the search for a good posture of patient's limbs as their design makes it easy for everyday use and the choice of their fabrics makes it comfortable while being safe.

All our products are washable at 70° and are compatible with all wheelchairs on the market.

CE Certification

All our products are CE certified in compliance with EU requirements arising to the product's manufacturer.

REACH Compliance

Our products follow the REACH regulation which aims to progressively remove the most dangerous chemical substances in the European.





SCAN ME
to view all
devices

OVERVIEW



BELT
SOLUTIONS

98

to press the back against
the chair back and buttocks
at the bottom of the seat



BELT
SOLUTIONS

100

if the pelvis slides forward



BELT AND
JACKET SOLUTIONS

102

if the patient has no
holding on the armchair



BELT AND
JACKET SOLUTIONS

104

if the bust goes forward



ARM SLINGS

106



SECURITY
MITTS

107



FOOT
SUPPORT

107

USER GUIDE PART 1



Back pressed against the chair back and buttocks at the bottom of the seat.

One size fits modular



ECO YZA BELT
page 98

One size fits



ECO SUPPORT BELT
page 98



SIMPLE SLIM BELT
page 99



LARGE ABDOMINAL BELT
page 99

One size fits modular



ABDOMINAL YZA BELT
page 105



The pelvis slides forward.



SIMPLE BIRDY BELT
page 100



PELVIC COMFORT BELT
page 100



MINI PELVIC BELT
Page 101



PELVIC SLIM BELT
page 101



PELVIC YZA BELT
page 105

One size fits modular



Y SLIM BELT
page 102



BUST SUPPORT BELT
page 102



INTEGRAL JACKET
page 103

One size fits modular



BUST YZA JACKET
page 103

One size fits modular



BUST YZA BELT
page 105



The bust goes forward.

One size fits modular



INTEGRAL YZA JACKET
page 103



INTEGRAL BIRDY BELT
page 104



Y & PELVIC SLIM BELT
page 104



INTEGRAL BODY HOLDER
page 105

One size fits modular



INTEGRAL YZA BELT
page 105



No holding on the armchair.

ECO YZA BELT



It is designed to provide the patient with a simple and effective chair support.

Its modularity with the addition of a modular pelvic element participates in the search for a personalized and optimized posture for patients confined to a chair.



We recommend using it when the patient need to have the back pressed against the chair back and the buttocks at the bottom of the seat.

REFERENCES	
Eco Yza Belt	CECO2-PF-A
Pelvic Element	CECO-MP-PF

Maximum useful area: 228 cm



Pelvic modular element is recommended if the patient's pelvis slides forward

ECO SUPPORT BELT



It is designed to prevent patients from falling.

By keeping the pelvis upright, it ensures to the patient an ideal position with a good alignment of the trunk, head and lower limbs.



We recommend using it when the patient need to have the back pressed against the chair back and the buttocks at the bottom of the seat.

REFERENCE	
One size fit all	CCMED2HP-PF

Maximum useful area: 164 cm





SIMPLE SLIM BELT

It is designed to prevent patients from falling as it is a support on the chair combined with a comfort belt.

This simple and robust system is common to all Slim belts.

We recommend using it when the patient needs to have the back pressed against the chair back and the buttocks at the bottom of the seat.



	A
Size S	60-80 cm
Size M	75-95 cm
Size L	90-110 cm
Size XL	110-130 cm



Maximum useful area: 230 cm

	REFERENCES
Size S	CCS2HP-PF-80
Size M	CCS2HP-PF-95
Size L	CCS2HP-PF-110
Size XL	CCS2HP-PF-130



LARGE ABDOMINAL BELT

It is designed to prevent patients from falling and to compensate slackening of abdominal muscles.

Its large area of contact with the patient prevents abdominal constriction.

We recommend using it when the patient needs to have the back pressed against the chair back and the buttocks at the bottom of the seat.



	A
Size S	60-90 cm
Size M	80-105 cm
Size L	95-125 cm
Size XL	115-145 cm



Maximum useful area: 230 cm

	REFERENCES
Size S	CCA2HP-PF-S
Size M	CCA2HP-PF-M
Size L	CCA2HP-PF-L
Size XL	CCA2HP-PF-XL

SIMPLE BIRDY BELT



It is designed to preserve mobility of the pelvis and to prevent forward sliding of the patient thus allowing to maintain good postural support.

It can be installed while the patient is sitting to avoid any pelvic constriction.



We recommend using it if the patient's pelvis slides forward.

	REFERENCES
Size S	CBR2HP-PF-S
Size M	CBR2HP-PF-M
Size L	CBR2HP-PF-L
Size XL	CBR2HP-PF-XL

	A
Size S	60-80 cm
Size M	75-95 cm
Size L	90-110 cm
Size XL	105-130 cm

Maximum useful area: 200 cm



PELVIC COMFORT BELT



Our best-selling positioning belt is designed to prevent forward sliding of the patient and to ensure to the patient an ideal position, increase motor functions and reduce muscle strain.

Its inner protection is in a waterproof and breathable fabric.



We recommend using it if the patient's pelvis slides forward.

	REFERENCES
Size S	CPCF3HP-PF-S
Size M	CPCF3HP-PF-M
Size L	CPCF3HP-PF-L

	A
Size S	50-80 cm
Size M	70-100 cm
Size L	90-130 cm

Maximum useful area: 230 cm





MINI-PELVIC BELT



It is designed to prevent forward sliding of the patient.

It is equipped with a high tenacity polyester net to ensure a comfortable seat on the chair without risk of shearing or arterial compressions.

We recommend using it if the patient's pelvis slides forward.



	A	
Size S	50-80 cm	
Size M	70-100 cm	
Size L	90-130 cm	

Maximum useful area: 230 cm

	REFERENCES
Size S	CPE2-PF-S
Size M	CPE2-PF-M
Size L	CPE2-PF-L



PELVIC SLIM BELT



It is designed to prevent forward sliding of the patient and to obtain a reinforced pelvic comfort in order to preserve a good alignment of the trunk, head and lower limbs.

We recommend using it if the patient's pelvis slides forward.



	A	
Size S	60-80 cm	
Size M	75-95 cm	
Size L	90-110 cm	
Size XL	110-130 cm	

Maximum useful area: 230 cm

	REFERENCES
Size S	CSP2HP-PF-80
Size M	CSP2HP-PF-95
Size L	CSP2HP-PF-110
Size XL	CSP2HP-PF-130

Y SLIM BELT



It is designed to prevent cervical kyphosis by maintaining the bust in an upright position.

It is a bust support combined with a comfort belt whose shoulder's straps can be separately adjusted in order to position the patient and to compensate from a bad position.



We recommend using it if the patient's bust goes forward.

	REFERENCES
Size S	CSY2HP-PF-80
Size M	CSY2HP-PF-95
Size L	CSY2HP-PF-110
Size XL	CSY2HP-PF-130

	A
Size S	60-80 cm
Size M	75-95 cm
Size L	90-110 cm
Size XL	110-130 cm

Maximum useful area: 230 cm



BUST SUPPORT BELT



It is designed to obtain a reinforced bust comfort and to prevent cervical kyphosis by maintaining the bust in upright position.

It provides balanced retraction from the shoulders down to the lower ribs.



We recommend using it if the patient's bust goes forward.

	REFERENCES
Size S	CMB2HP-PF-S
Size M	CMB2HP-PF-M
Size L	CMB2HP-PF-L

Maximum useful area: 164 cm





INTEGRAL JACKET

It is designed to prevent cervical kyphosis by maintaining the bust in an upright position and its installation is facilitated due to its removable shoulders

It is made in a waterproof and breathable fabric for an improved comfort.

We recommend using it if the patient's bust goes forward.



	REFERENCES
Size S	CGI3-PF-S
Size M	CGI3-PF-M
Size L	CGI3-PF-L

Maximum useful area: 220 cm



1. BUST YZA JACKET



2. INTEGRAL YZA JACKET WITH A PELVIC ELEMENT

is recommended if the patient's body has no holding on the armchair.



YZA JACKET

The YZA Jacket is designed to provide the patient a customized chair support and is declined in 2 modular versions:

1. the Bust YZA Jacket
2. the Integral YZA Jacket is composed of the Bust YZA Jacket to which is added a pelvic modular element

We recommend using it if the patient's bust goes forward.



	REFERENCES
Bust YZA jacket	YZA2GBHP-PF
Integral YZA jacket	YZA2GBHP-PF+YZA2-MP-PF
Pelvic Element	YZA2-MP-PF

Maximum useful area: 200 cm

INTEGRAL BIRDY BELT



It is designed to prevent forward sliding of the patient and to maintain the bust in an upright position.

It can be installed while the patient is sitting to avoid any pelvic constriction.



We recommend using it if the patient's body has no holding on the armchair.

REFERENCES	
Size S	CBRIN2HP-PF-S
Size M	CBRIN2HP-PF-M
Size L	CBRIN2HP-PF-L
Size XL	CBRIN2HP-PF-XL

A	
Size S	60-80 cm
Size M	75-95 cm
Size L	90-110 cm
Size XL	105-130 cm

Maximum useful area: 200 cm



Y & PELVIC SLIM BELT



It is designed to prevent forward sliding of the patient and to maintain the bust in an upright position.

Its shoulder's straps can be separately adjusted in order to position the patient and to compensate from a bad position.



We recommend using it if the patient's body has no holding on the armchair.

REFERENCES	
Size S	CSYP2HP-PF-80
Size M	CSYP2HP-PF-95
Size L	CSYP2HP-PF-110
Size XL	CSYP2HP-PF-130

A	
Size S	60-80 cm
Size M	75-95 cm
Size L	90-110 cm
Size XL	110-130 cm

Maximum useful area: 230 cm





INTEGRAL BODY HOLDER

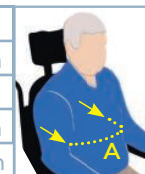
It is designed to prevent forward sliding of the patient and to maintain the bust in an upright position.

It is manufactured in a lamination of foam to provide a complete comfort.

We recommend using it if the patient's body has no holding on the armchair.



	A
Size S	60-80 cm
Size M	75-95 cm
Size L	90-110 cm
Size XL	110-130 cm



Maximum useful area: 230 cm

	REFERENCES
Size S	CBIM2HP-PF-S
Size M	CBIM2HP-PF-M
Size L	CBIM2HP-PF-L
Size XL	CBIM2HP-PF-XL



1. ABDOMINAL YZA BELT



3. PELVIC YZA BELT



2. BUST YZA BELT



4. INTEGRAL YZA BELT



YZA BELT

The YZA Belt is designed to provide the patient a customized chair support while avoiding the patient compression phenomena and is declined in 4 modular versions:

1. The Abdominal YZA Belt
2. The Bust YZA Belt is composed of the Abdominal YZA Belt to which is added a bust modular element
3. The Pelvic YZA Belt is composed of the Abdominal YZA Belt to which is added a pelvic modular element
4. The Integral YZA Belt is composed of the Abdominal YZA Belt to which is added a bust modular element and a pelvic modular element

We recommend using it if the patient's body has no holding on the armchair.



	REFERENCES
Abdominal YZA Belt	YZA2CAHP-PF
Pelvic YZA Belt	YZA2CAHP-PF+YZA2-MP-PF
Bust YZA Belt	YZA2CAHP-PF+YZA2-MB-PF
Integral YZA Belt	YZA2CAHP-PF+YZA2-MB-PF+YZA2-MP-PF

Maximum useful area: 200 cm

HOLST ARM SLING



It is designed to prevent or to completely reduce the glenohumeral sub-luxation (source of pains) while allowing a daily setting up by the patients themselves, without changing the initial adjustment.

The elasticated strap exerts a vertical traction on the humerus by applying the force of the traction to the elbow and to the homolateral shoulder.



REFERENCES	
Left Side	EC-HSTG-PF
Right Side	EC-HSTD-PF

ARM SLINGS



Available in 2 models (with or without a dorsal strap), they are used in case of fracture, tendonitis or sprain to promote healing of the upper limb or shoulder.

Esthetical and comfortable, they are also equipped with a thumb rest.

The addition of a dorsal strap keeps the sling against the user's body (dorsal strap model only).



ARM SLING

ARM SLING WITH DORSAL STRAP

REFERENCES	
Size 1	ECB-01-PF
Size 2	ECB-02-PF
Size 3	ECB-03-PF

REFERENCES	
Size 1	ECBSM1-PF
Size 2	ECBSM2-PF
Size 3	ECBSM3-PF



SECURITY MITTS

They prevent the restless patient from tearing his care devices as well as his incontinence protections.

The breathable net part on the top increases comfort and the integrated aluminum stiffener prevents the hand flexion.



	REFERENCE
By Pair	LMMFL-HP-PF



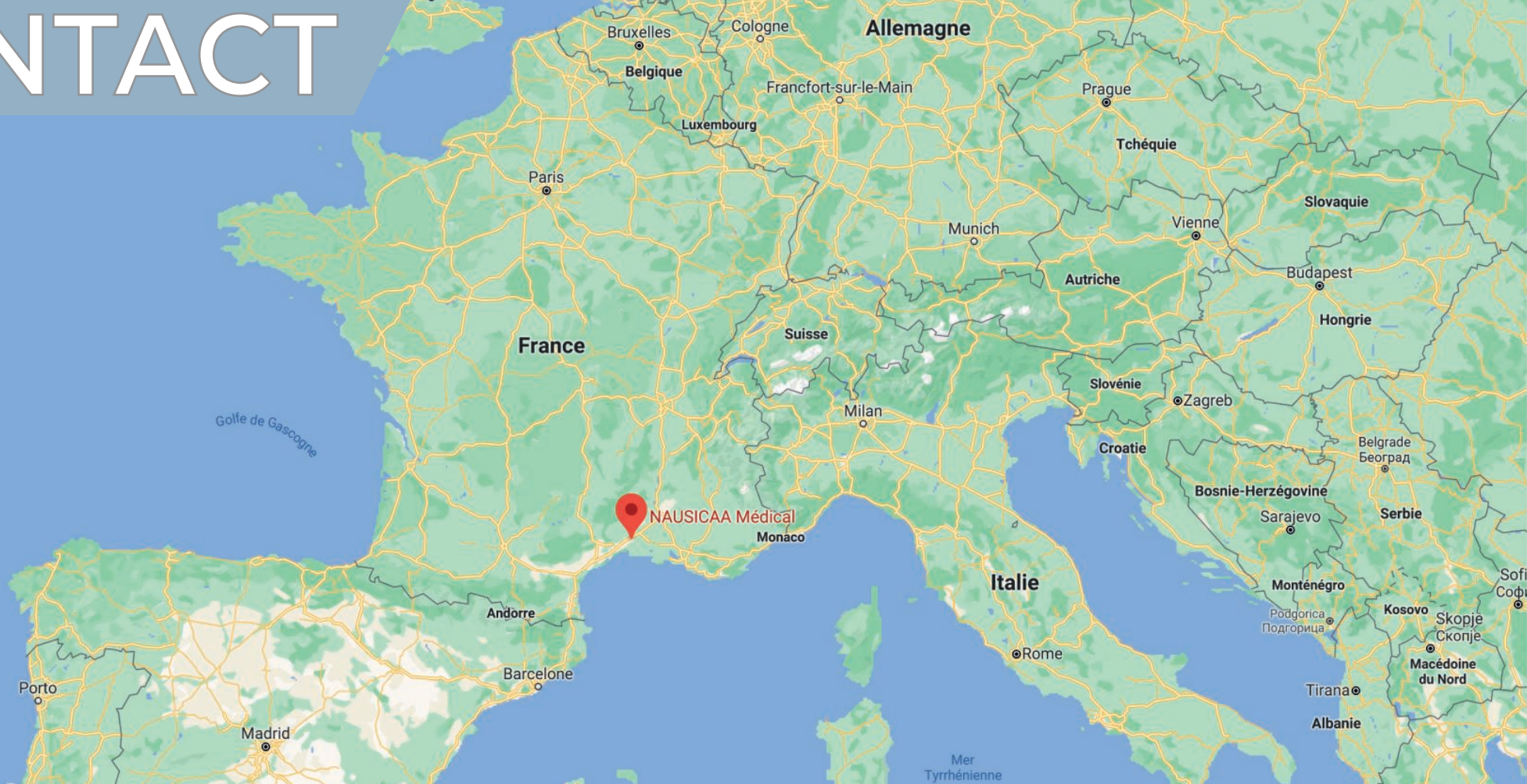
FOOT SUPPORT

It is designed to uphold the foot on the wheelchair footrest due to its Velcro strap fixation under and on the side of the footrest.



	REFERENCE
By Pair	LMDP-HP-PF

CONTACT



GET IN TOUCH WITH US

Please feel free to contact us if you have any questions

Our Office

Email: export@nausicaa-medical.com

ZA Pôle Actif – 12 Allée du Piot

30660 Gallargues-le-Montueux

FRANCE

Clément CHAUZAT Export Manager

Email: clement@nausicaa-medical.com

Phone: +33 (0) 466 717 184

Pauline ARRIBAT Export Assistant

Email: pauline@nausicaa-medical.com

Phone: +33 (0) 466 515 080

N

N

CONTACT

Email: export@nausicaa-medical.com

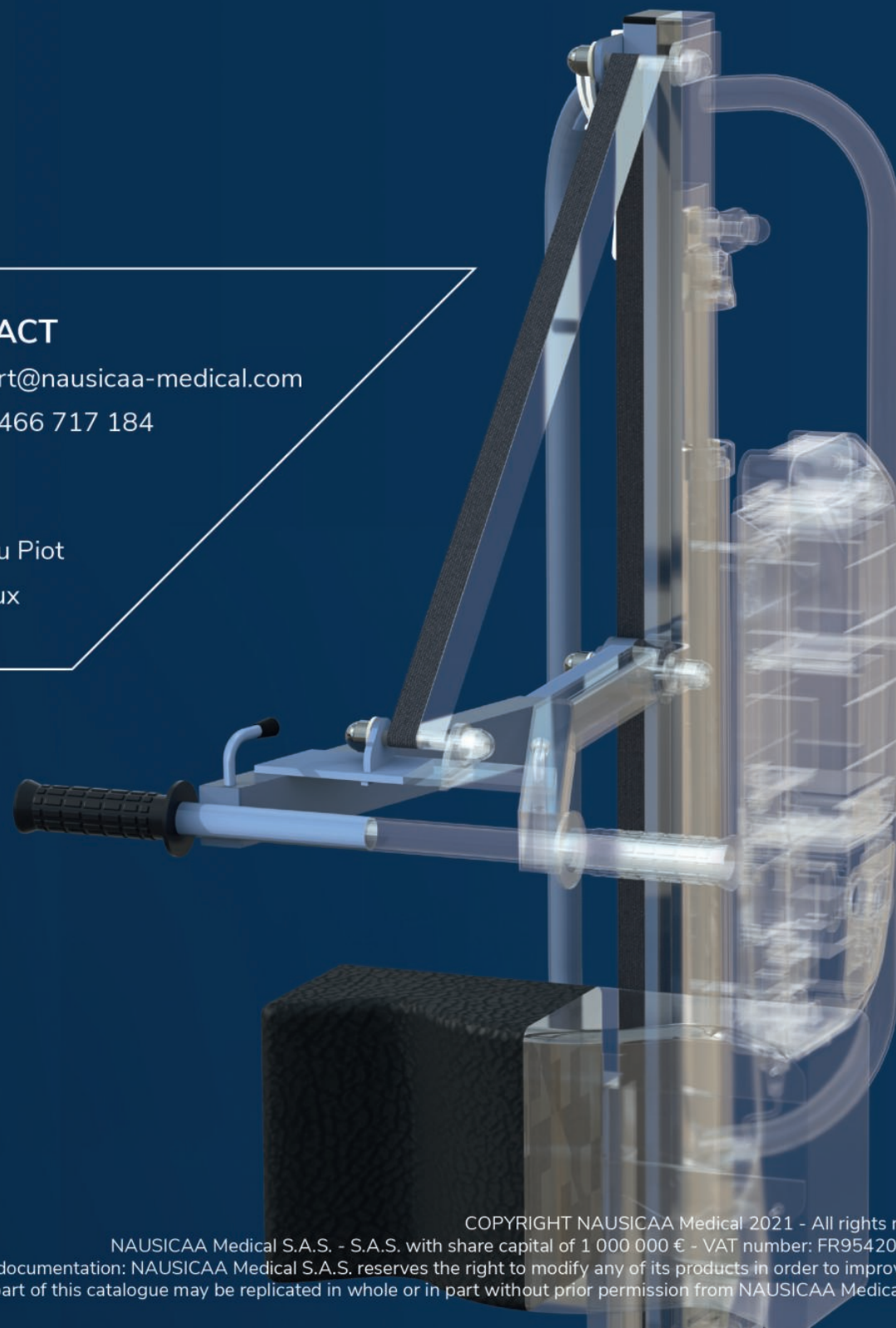
Phone: +33 (0) 466 717 184

ADDRESS

ZA Pôle Actif - 12 Allée du Piot

30 660 Gallargues-le-Montueux

FRANCE



COPYRIGHT NAUSICAA Medical 2021 - All rights reserved

NAUSICAA Medical S.A.S. - S.A.S. with share capital of 1 000 000 € - VAT number: FR95420872293

Non-contractual documentation: NAUSICAA Medical S.A.S. reserves the right to modify any of its products in order to improve them.

No part of this catalogue may be replicated in whole or in part without prior permission from NAUSICAA Medical S.A.S..