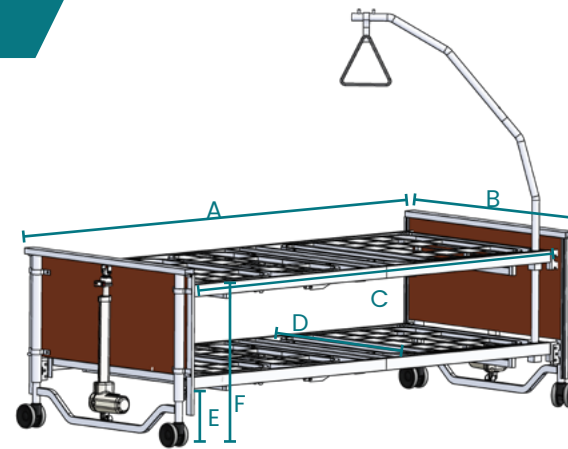


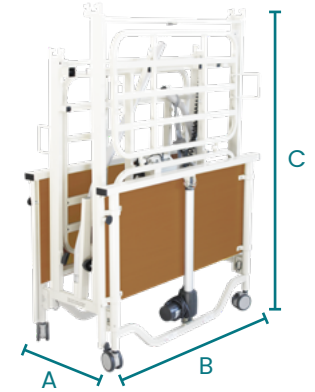
TECHNICAL DATA MEDICAL BEDS

CONVERTISS Standard Plus



UNFOLDED DIMENSIONS

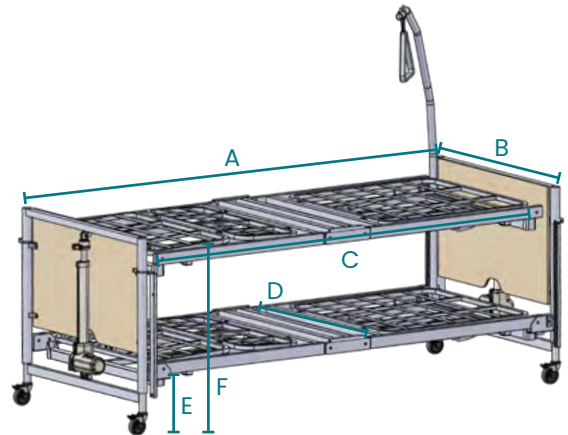
- A. Overall length: 215 cm
- B. Overall width: 99 cm
- C. Bed base length: 203 cm
- D. Bed base width: 83,5 cm
- E. Minimum height: 24 cm
- F. Maximum height: 65 cm



FOLDED DIMENSIONS

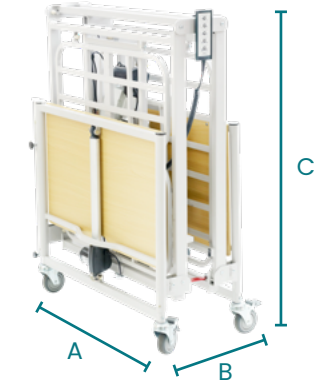
- A. Folded bed width: 45 cm
- B. Folded bed length: 99 cm
- C. Folded bed height: 135 cm

CONVERTISS Folding Premium



UNFOLDED DIMENSIONS

- A. Overall length: 215 cm
- B. Overall width: 90 cm
- C. Bed base length: 203 cm
- D. Bed base width: 83,5 cm
- E. Minimum height: 31 cm
- F. Maximum height: 70 cm



FOLDED DIMENSIONS

- A. Folded bed width: 44 cm
- B. Folded bed length: 90 cm
- C. Folded bed height: 117 cm