

EASYLEV 5

With Mechanical Opening Legs

It is equipped with a mechanical opening base legs (up to 90 cm) which permits an ease of access to armchairs or wheelchairs.

Its design is optimized for a soft standing-up process due to the specificity of its combined movement.



DEMONSTRATION VIDEO

YouTube

SCAN to watch

KEY FEATURES



Traction belt for a combined movement increasing patient comfort



Innovative expandable lifting arm



Ergonomic knee block to protect vulnerable knees

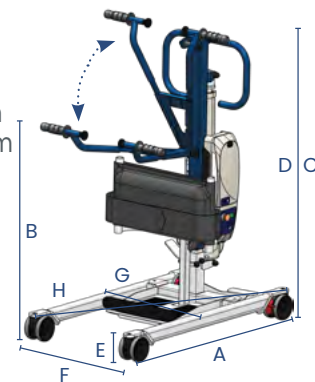
OPTION



Lithium Battery for more efficiency:
 - up to 312 cycles
 - 2 years warranty

TECHNICAL DATA

- A. Total length: 100 cm
- B. Minimum lifting height: 75 cm
- C. Maximum lifting height: 158 cm
- D. Total height: 126 cm
- E. Frame height: 11 cm
- F. Minimum base width: 54 cm
- G. Maximum base width: 90 cm
- H. Turning diameter: 110 cm



REFERENCES		
	With standard battery	EASYLEV5ECP-M-PF
	With lithium battery	EASYLEV5ECP-M-LI-PF