

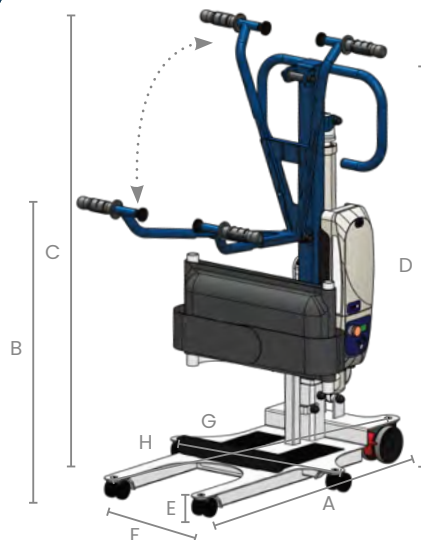
TECHNICAL DATA EASYLEV 5 RANGE



EASYLEV 5 Fixed Base

DIMENSIONS

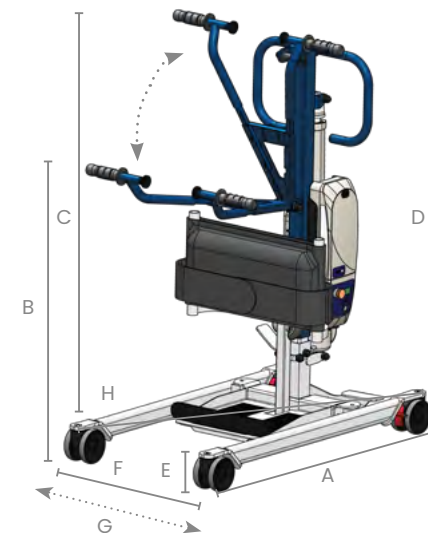
- A. Total length: 95 cm
- B. Minimum lifting height: 72 cm
- C. Maximum lifting height: 162 cm
- D. Total height: 100 cm
- E. Frame height: 6,5 cm
- F. Minimum base width: 24 cm
- G. Maximum base width: 56,5 cm
- H. Turning diameter: 90 cm



EASYLEV 5 With Mechanical Opening Legs

DIMENSIONS

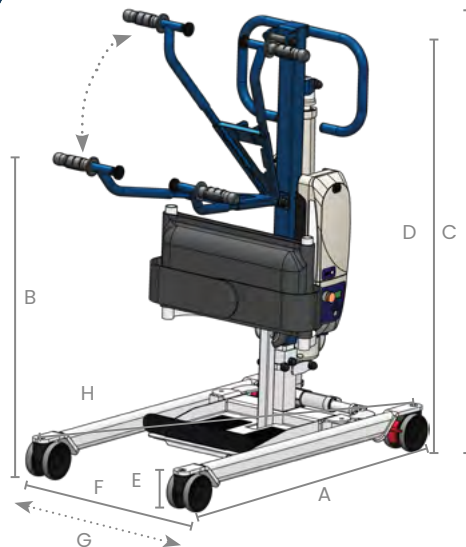
- A. Total length: 100 cm
- B. Minimum lifting height: 75 cm
- C. Maximum lifting height: 165 cm
- D. Total height: 106 cm
- E. Frame height: 11 cm
- F. Minimum base width: 54 cm
- G. Maximum base width: 90 cm
- H. Turning diameter: 110 cm



EASYLEV 5 With Electrical Opening Legs

DIMENSIONS

- A. Total length: 100 cm
- B. Minimum lifting height: 75 cm
- C. Maximum lifting height: 165 cm
- D. Total height: 106 cm
- E. Frame height: 11 cm
- F. Minimum base width: 54 cm
- G. Maximum base width: 100 cm
- H. Turning diameter: 110 cm



EASYLEV XL With Electrical Opening Legs

DIMENSIONS

- A. Total length: 107 cm
- B. Minimum lifting height: 78 cm
- C. Maximum lifting height: 161 cm
- D. Total height: 121 cm
- E. Frame height: 11 cm
- F. Minimum base width: 70 cm
- G. Maximum base width: 94 cm
- H. Turning diameter: 124 cm

