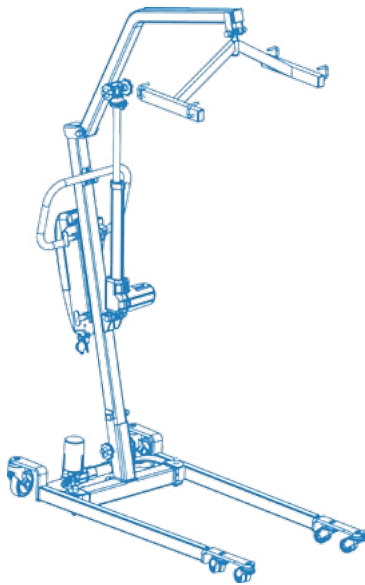


PRESENTATION



NAUSICAA Medical provides a complete range of patient lifts for all patients and conform to European Standard NF EN ISO 10535:2007.

The mobile lifts are useful and efficient when a patient is dependent and therefore needs a caregiver to perform basic care as they allow them to be transferred from a bed, a chair, a toilet, a wheelchair or from the floor in an easy and efficient way.

They allow patients in care environments to acquire physical and psychological benefits while preserving mobility, independence and dignity; considering that they provide the most appropriate solution for the basic tasks of patient handling, lifting and repositioning.

Choosing the right device is essential as it has been demonstrated that the use of adapted equipment reduces the risk of injury, both for the patient and for the caregiver.

NEW OPTION: LITHIUM BATTERY

In our willingness to always improve our products, we are proposing this year a lithium battery (as an option and as standard on the PLUS range) compatible with all our patient lifts.

There are many advantages with a lithium battery in regards to a regular battery:

- Longer time of use and lifespan _ a lithium battery allows to perform 3 times as many cycles on a patient lift and has an extreme durability.
- Low self-discharge and quick charging _ it has a longer shelf life and it takes a fraction of a time to charge.
- Smaller and lighter _ it is twice lighter than a regular battery which makes it more practical for the caregiver.

