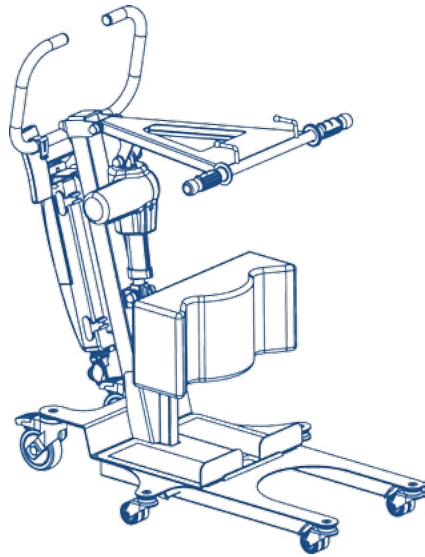


PRESENTATION



NAUSICAA Medical provides a complete range of stand-up lifts for all patients and conform to European Standard NF EN ISO 10535:2007.

Stand-up lifts are useful and effective when a patient has a certain degree of dependence coupled with a caregiver need for basic care as they allow the patient to be raised from a bed, a chair rest, a toilet or a wheelchair in order to be transferred while being active.

Encouraging patients' mobility, these devices are most suitable for patients having difficulty to stand up while allowing patients in care environments to acquire physical and psychological benefits while preserving mobility, independence and dignity.

Choosing the right device is essential, as it has been demonstrated that the introduction of appropriate devices to improve patient's mobility in complete safety, reduces the risk of injury, both for the patient and for the caregiver.

NEW OPTION: LITHIUM BATTERY

In our willingness to always improve our products, we are proposing this year a lithium battery (as an option and as standard on the PLUS range) compatible with all our stand-up lifts.

There are many advantages with a lithium battery in regards to a standard battery:

- Longer time of use and lifespan _ a lithium battery allows to perform 3 times as many cycles on a stand-up lift and has an extreme durability.
- Low self-discharge and quick charging _ it has a longer shelf life and it takes a fraction of a time to charge.
- Smaller and lighter _ it is twice lighter than a regular battery which makes it more practical for the caregiver.

