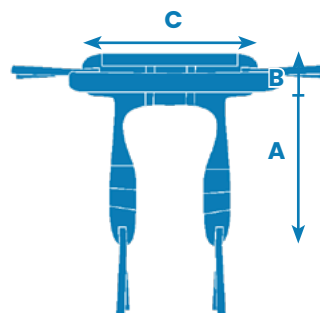




BACKREST TOILET SLING

The Backrest Toilet Sling's extended U-shape completely frees the patient's buttocks to facilitate the positioning to the toilet. In addition, its plastron and padded backrest increase safety and its leggings comfort foam reduce the shearing effect.

We recommend using it for toilet and daily change transfers and we do not advise it for patients with very low tone.



S	A	70
	B	26
	C	78
M	A	84
	B	26
	C	92
L	A	94
	B	26
	C	104
XL	A	105
	B	26
	C	120

REFERENCES	
Size S	SATL-PF-S
Size M	SATL-PF-M
Size L	SATL-PF-L
Size XL	SATL-PF-XL
Removable Headrest	+TAMOV-PF



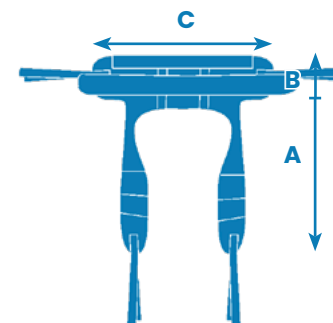
Jersey



QUICK TOILET SLING

The Quick Toilet Sling's extended U-shape completely frees the patient's buttocks to improve the installation and removal of the sling, besides its leggings and back part in foam which distribute the pressures exercised on the thighs.

We recommend using it for toilet and daily change transfers and we do not advise it for patients with very low tone.



S	A	67
	B	26
	C	78
M	A	85
	B	26
	C	95
L	A	90
	B	26
	C	108
XL	A	100
	B	26
	C	122

REFERENCES	
Size S	STO-PF-S
Size M	STO-PF-M
Size L	STO-PF-L
Size XL	STO-PF-XL
Boned Headrest	+TABAL-PF



Jersey

