

STAND-UP LIFT: EASYLEV 2 with electrical opening legs



MADE FROM STEEL
WEIGHT CAPACITY : 150 kg
CLASS 1 MEDICAL DEVICE

CONFORM TO STANDARD NF EN ISO 10535 : 2007

Contents

User Manual / Stand-Up Lift: EASYLEV 2 with electrical-opening legs

• Intended Purpose Scope of Delivery	1
• Assembling Instructions	2-3
• Instructions for Use	4
• Stand-up Lifts Use	5-7
• Motorisation Informations	8
• Users Guide	9
• Slings Use	10
• Reuse Labelling	11-13
• Preventive Maintenance & Security Controls	14-15
• General Safety Guidelines	16
• Technicals & Dimensionals Characteristics	17
• Spare Parts	18
• Cleaning & Maintenance	19
• Motorisation Technicals Characteristics	20-22
• Troubleshooting Guide	23
• Warranty	24

Intended Purpose

The stand-up lift EASYLEV 2 with electrical opening legs is an active class I medical device according to the EU Council Directive 93/42/EEC Appendix IX. It can be employed in all areas of care work and is intended for use by caregivers properly instructed in its operation.

It is intended for short-term use not involving contact with injured skin and requires the use of a suitable sling.

The stand-up lift EASYLEV 2 with electrical opening legs may be used for patients weighing up to a maximum weight of 150 kg.

The stand-up lift EASYLEV 2 with electrical opening legs is only suitable for driving short distances within the patient's residence or area of activity on one floor. It must only be used on an even, horizontal floor. The climatic conditions must be an ambient temperature of 0°C to 40°C, humidity of 20% to 80%, air pressure of 700 hPa to 1060 hPa and in the range of normally composed atmospheric air. It is permitted to be used in wet areas. For example, this includes the toilet or the bath. This does not include using the patient hoist under the shower.

The stand-up lift EASYLEV 2 with electrical opening legs is not explosion protected and is not permitted to be used in potentially explosive areas.

Clinical pictures such as osteogenesis imperfecta, osteoporosis or spinal column damage, as well as mental disorientation or epileptic seizures can represent contraindications.

The stand-up lift EASYLEV 2 with electrical opening legs is only permitted to be used after careful consideration of the individual patient by the doctor and the care personnel.

Standard stand-up lift

In the standard stand-up lift version the EASYLEV 2 with electrical opening legs is solely to be used for lifting and transferring a patient in a suitable sling. This is usually performed with the patient in a seated position.

Active stand-up lift

In the active stand-up lift version, the EASYLEV 2 with electrical opening legs is solely to be used to assist a patient from a seated position to a standing position and then transfer them in a suitable sling. It serves as an aid to the natural movement of standing up and sitting down and can be driven with the patient standing up so that they may still go to the toilet independently for example. Additionally, the patient's participation stimulates its residual mobility by strengthening his circulation and musculature.

The use of the active stand-up lift requires the active participation of the patient. The ability to hold on to the lifting arm tightly is particularly important. Missing limbs or functional limitations of the musculoskeletal system (e.g., paraplegia) can limit or rule out the use of an active hoist. This must be decided by the operator on a case-by-case basis.

Scope of Delivery

The stand-up lift has already been inspected at the factory to ensure that it is free from defects and that nothing is missing. Nevertheless, please check the product immediately after receipt for any damage which may have occurred during transport.

Use the delivery note to check that all items are present and that the delivery is thus complete.

Box	Contents	Units
EASYLEV 2 with electrical opening legs	EASYLEV 2 with electrical opening legs	1
	Battery pack (removable)	1
	Handcontrol	1
	User Manual	1

Assembling Instructions

BEFORE USING YOUR STAND-UP LIFT, IT IS NECESSARY TO CHECK :

- The wheels turn and roll normally.
- The rear wheels function correctly.
- There is no wear or deformation on the hooks.

WARNING :

- To preserve the inserts, do not overtighten.
- Assembly is done with the brakes locked.

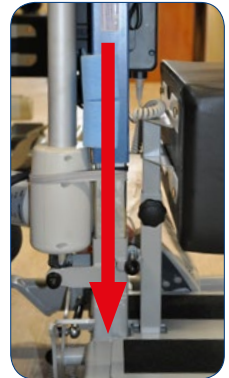
You will find these two parts in the box.



Step 1 :

- Insert the mast guide in the base
- Fix the mast with the related hardware:
- 1- Insert a long axis through the holes
- 2- Screw 2 M10 bolts
- 3- Put the caps on

1



Step 2 :

- Check that the bearing is position as shown beside
- Insert the mast on its guide

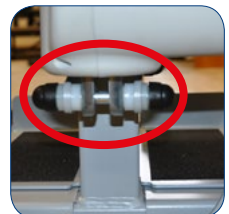
2



Step 3 :

- 1- Insert a 4 mm thickness washer on the axis
- 2- Position the axis on the screed
- 3- Insert a 10 mm thickness washer on the axis
- 4-Insert the actuator base screed
- 5- Insert a 10 mm thickness washer on the axis
- 6- Insert a 3 mm thickness washer on the axis after the screed
- 7- Screw 2 M10 bolts
- 8- Put the caps on

3



Assembling Instructions

Step 4 :

- 1- Insert a 3 mm thickness washer on the axis
- 2- Position the axis on the screed
- 3- Insert the sling
- 4- Insert a 3 mm thickness washer on the axis after the screed
- 5- Screw 2 M10 bolts
- 6- Put the caps on

Step 5 :

- 1-Insert the shin block in its guide
- 2-Screw the handwheel

Step 6 :

- 1-Plug all the electrical cords

4



Equipped with a 3 functions footrest

1-Heel block: prevents heels detachment thus avoiding the patient to rest on his knees.

2-Trendelenburg: raise the patient's heels to stimulate the natural scheme of raising.

3-Reverse Trendelenburg: tilts the patient's body slightly backward to prevent the sling from going up.

1



2



3



Instructions for Use

- The stand-up lifts are useful and effective when a patient has a certain degree of dependence coupled with a caregiver need for basic care.
- They are designed for patients whose mobility is reduced but who can however be supported temporarily on at least one leg (a minimum of tonicity by the patient is required), and who require mechanical assistance to be put into standing and be moved.
- The stand-up lifts contribute to the stimulation of the patient and its mobility; stimulate the cardiac system; combating against osteoporosis and all disorders associated with immobility such as falls during transfers; stimulate brain activity thus favouring maintenance of continence; improves intestinal activity and bladder function.



- Using a stand-up lift requires a capacity assessment of the patient.
- When using a stand-up lift, patients can be categorized in 2 categories:
 1. Low-tonicity patients
 2. Medium-tonicity patients
- How to properly use a stand-up lift (1.):
 - Low-tonicity patients shall be transferred in a “semi-seated” position



Stand-up Lifts Use

- How to properly use a stand-up lift (2):
- Medium-tonicity patients shall be transferred in a standing position



- Furthermore, the handlebar must be used to push and/or pull the device with the hands on the upper part or on the sides, not below pushing upward.



- Likewise, the patient's shins must be in contact with the shin block at all times.
- In all cases, the caregiver must be properly trained for the safe handling of the device.



DIRECTIONS FOR USE :

- Your stand-up lift is designed to lift people, do not use it for other purposes.
- Check that the patient's weight does not exceed the maximum weight that can be raised by the stand-up lift.
- Do not force the controls and features of the stand-up lift, they are all easy to use and do not require strength.
- Operate the stand-up lift by pushing the handles, never by pushing the patient.
- The stand-up lift must be handled with care when a patient is transferred and at a speed appropriate to the situation.
- Operate the stand-up lift on flat and smooth surfaces. It is not recommended to be used on a slope of more than 5°. If you are forced to move on a ramp, it is recommended that a second person helps you. Do not use an electric stand-up lift in a shower.
- Do not recharge the batteries near a bath or shower.

Stand-up Lifts Use



Parking brake

The parking brakes are one of the important safety elements of an stand-up lift. The rear castors are fitted with parking brakes which act directly on the wheels. To lock the castors, press the parking lever to the stop using your foot (Castor Locked). The stand-up lift can no longer be pushed in this setting. To release the castors, press the parking lever pointing upwards (Castor Released).

When locking the castors always insure that both castors are locked.
If only one castor is locked on a sloping floor, the unlocked wheel will roll downhill around the locked wheel.

Depending on the slope of the surface, there is the danger that the stand-up lift will tip over sideways.

Castor Released



Castor Locked

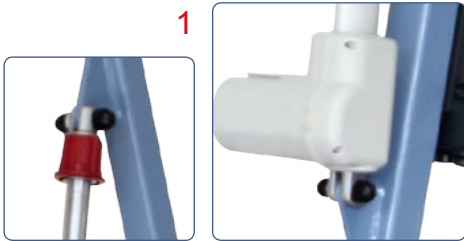


Stand-up Lifts Use



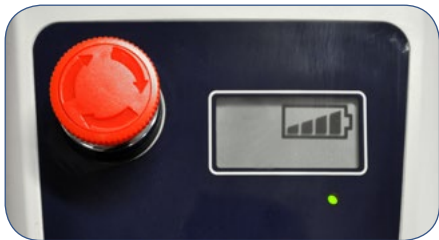
Before use, check that the actuator and the hand-control are correctly connected to the control unit (page 22)

Check the status of the control box and the battery



1

Check that the actuator is properly secured

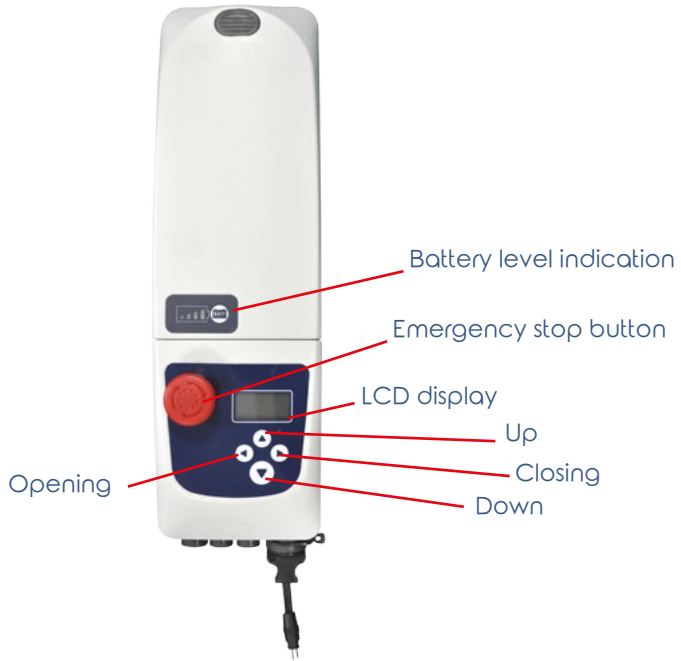


2

Check that the battery is charged



Motorisation Informations



User guide

Choosing the right sling size is important in order to achieve the highest possible patient comfort and safety.

An assessment of the patient capacity is required before using a stand-up lift and more precisely to make sure that the patient can bear weight on at least one leg and has sufficient tonicity in the lower and upper parts of the body.

Additional parameters should also be taken into account depending on the situation, such as the patient's physical handicap, pathology and morphology.

Our R&D department has put in place a size colour-code in order to quickly identify the size of each sling:

Size	Color code	Plastron
S	Yellow	70 / 90 cm
M	Red	90 / 115 cm
L	Green	115 / 140 cm
XL	Dark Blue	140 / 165 cm
TU (One size fits)	Black	

In order to choose the right sling, the caregiver shall take into account the patient's waist size.

All our slings provide sustainable solutions for reassuring transfers and are compatible with all stand-up lifts with a 2-hook system.

CAUTION

IMPORTANT RECOMMANDATIONS

In order to get a maximum efficiency of these sort of product, it is necessary :

- to choose the appropriate size for the patient
- to get the best possible adjustment to the patient

These products must not be in direct contact with a wounded skin.

Read the instruction manual before using the slings.

The backrest hangers must be hung on the same color.

Never change the attachment setting of the ears to the stand-up lift hooks, when someone is installed in the sling.

Before lifting a person with the stand-up lift, make sure the sling is securely hooked to the hooks.

Slings Use

INSTRUCTIONS FOR USE

Position the bottom of the backrest in the lumbar region in order that the ears of the attachment system are on either side of the person.

Place the fasteners of the backrest under the arms of the person.

Close the plastron.

Hook the two fasteners of the backrest to the stand-up lift hooks.

SETTINGS

The fastening system, with multiple hangers, allows to adjust the position of the person.



Transfer in sitting position for ALL PATIENTS



Position the "under thighs" strap and close it adjusting it without tightening too much.

Handlebar in lower position: Position the **yellow loops** on the central hooks of the handlebar.

Operate the actuator until halfway.

Standing up for PATIENT WITH CHEST TONICITY



Operate the actuator until it stops.



Handlebar in lower position: Position the **green loops** on the central hooks of the handlebar.

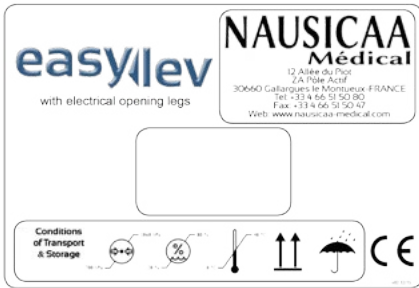
Reuse

The stand-up lift is suitable for repeated use.

The stand-up lift must be cleaned, disinfected and serviced according to the Preventive Maintenance and Security Controls (pages 14-15) at the very latest just before the reuse.

Labelling

Labelling on the box



Labelling



SAFETY INSTRUCTIONS BEFORE EACH USE

NAUSICAA
Medical

1

- Check the perfect condition of the hoist sling.
- Check the perfect condition of the traction sling (EASYLEV, NAUSILEV).
- Verify the presence and conditions of safety devices: all axis and their constrained fixations (pins, clips and bolts) and the tightness of the screws (see user manual).

DO NOT USE THE DEVICE IN CASE OF ANY LACK OR BAD OVERALL STATE

easylev NAUSICAA
Médical

2

POIDS MAXIMUM
MAXIMUM WEIGHT
MAXIMALE TRAGFÄHIGKEIT
PESO MAXIMO
PESO MASSIMO

150 kg

CE NAUSICAA FRANCE
Médical v.02.12-15

3



BATTERY MAINTENANCE

NAUSICAA
Medical

A POORLY MAINTAINED BATTERY DETERIORATES

- Regularly recharge the battery at the maximum.
- Making small incomplete charges shortens the battery life.
- The battery should not be exposed to temperatures neither too low nor too high.
- The batteries status depends on the maintenance and therefore can not be under warranty.
- It is important to check the charger if the battery no longer works.

4

easylev 2 CE
ECP

NAUSICAA MEDICAL
13 Avenue du Parc - 33 166 Arcs
33060 Callignac St Mandéroul
France

ESI 2 ECP-378-FM



Année/Mois de fabrication: _____ / _____

Capacité Maximale: 150 kg

5

Labelling



Preventive Maintenance & Security Controls

Stand-Up Lift : EASYLEV 2 with electrical-opening legs

Serial Number :

Control of security points (Frequency: depending on use, recommended every three months)
This is a sight control : any wear trace must lead to a replacement.

		GOOD	WRONG	DATE OF CHANGE
1	Connection head of the actuator (bolted)			
2	Connection base of the actuator (bolted)			
3	Connection head of the mast (bolted)			
4	Locking base of the mast			
5	Fixing of the castors (bolted)			
6	Sliding of the sub-patellar support (adjustable knob)			
7	State and sticking of the anti-slip material			
8	Fixing of the mast handle			
9	Overall state of the device (welds, joints, oxidation)			

Control of electrical functions (Frequency: depending on use, at least once a year)
this control must be carried out when the hoist is loaded.

		GOOD	WRONG	DATE OF CHANGE
A	Operation of the actuator			
B	Operation of the emergency system			
C	Batteries status (charge holding)			
D	Handcontrol status			
E	Control operation on the battery block			

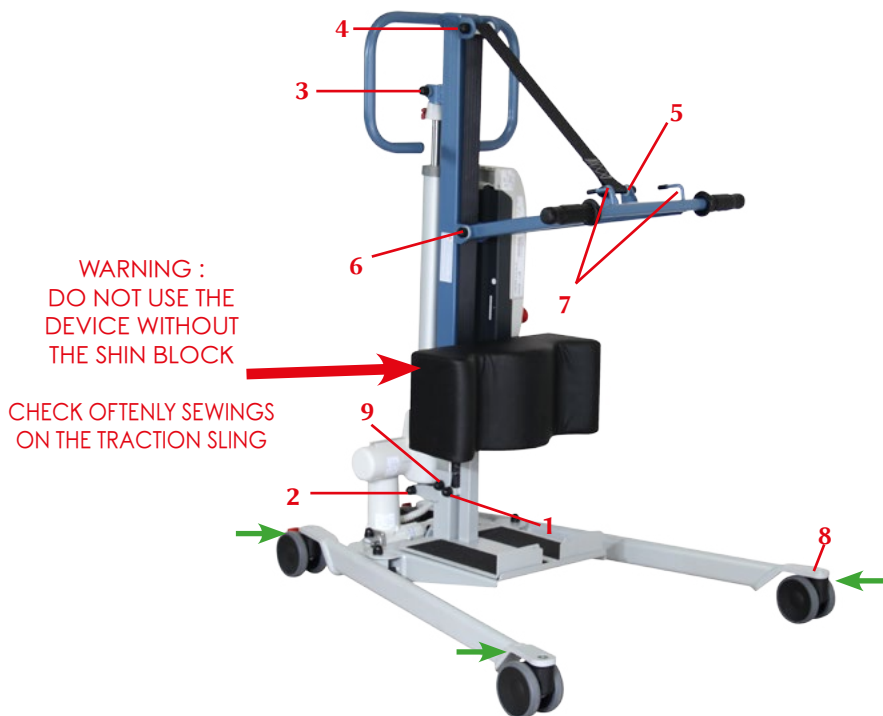
Inspection carried out on :	Inspection carried out by :	Date of the next inspection :

Preventive Maintenance & Security Controls

Control of security points (Frequency: depending on use, recommended every three months)
This is a sight control : any wear trace must lead to a replacement.

- 1 → Bottom traction sling fixation
- 2 → Actuator base fixation
- 3 → Actuator head fixation
- 4 → Rolling part of traction sling
- 5 → Arm traction sling fixation
- 6 → Rotation arm axis
- 7 → Sling fixation point
- 8 → 4 wheels fixation
- 9 → Structure state
- 10 **STRUCTURE STATE**
 - THESE CONTROLS CAN BE CARRIED OUT WITHOUT LOAD

→ **Periodical Greasing**
IT IS IMPORTANT TO GREASE OFTENLY THE INSIDE OF THE MAST (ROLLING)
with a silicone lubricant.



General Safety Guidelines

1. Use the Stand-Up Lift only for its intended purpose, in accordance with the legislation for medical devices, the regulations for labor protection and accident prevention, as well as the generally recognized rules of technology.
2. Note that the Stand-Up Lift is a medical device, therefore the user is required to comply with the directive on the use of medical devices.
3. The requirements for the electrical installation of the room or area where the Stand-Up Lift is used must meet the current state of the technology.
4. Using the Stand-Up Lift only after being trained for its handling.
5. Before using the device, please read the complete User Manual in order to avoid damage due to improper handling or exposure to risks. The User Manual contains important information and notes required for the Stand-Up Lift use.
6. Use the Stand-Up Lift in accordance with this User Manual only. Keep the User Manual for future reference in case of questions. Join this User Manual to the Stand-Up Lift in case of change of ownership.
7. Before any use, it must be ascertained whether the Stand-Up Lift and its accessories are in working order and in impeccable conditions.
8. Before using the Stand-Up Lift with other medical and non-medical devices, check that the combination of these products is allowed and can be used together safely.
9. Assembly, commissioning, maintenance and repair of the Stand-Up Lift should be entrusted only to specialists.
10. It is up to the user or operator to ensure (through adequate measures and instructions) that mechanical stress of the charging cord (through bending, tension, shear, crushing) is excluded during loading or cleaning of the part. This also applies to the electrical cables of other devices used with the Stand-Up Lift.
11. Respect the activation duration and the maximum weight capacity. These values must not be exceeded, otherwise the Stand-Up Lift safe operation is no longer guaranteed.
12. Do not expose the Stand-Up Lift to direct sunlight or heat.
13. Ensure that no moisture enters the electrical system.
14. Avoid mechanical stress on electrical cords. Pull, bend or crush the cords may damage them.
15. Charge batteries in a well ventilated area.
16. Electromagnetic interferences can not be excluded from the Stand-Up Lift and other devices. If there is a risk of such interference, the source of interference must be removed or the Stand-Up Lift should not be used.
17. Disruptions caused by the use of portable communication devices can not be completely excluded. This is why a safe distance of at least 3 meters must be kept in order to ensure the functioning of the Stand-Up Lift safely.
18. Do not leave unattended children stand near the Stand-Up Lift.
19. The Stand-Up Lift should not be used as soon as abnormal noises, damages or any other malfunctions occur. In this case, do not connect the wall charger to the Stand-Up Lift and inform us.
20. If damaged or defective, the Stand-Up Lift should not be used and should not be connected to the direct current. Inform the dealer to remedy the default or failure.

Technicals & Dimensionals Characteristics

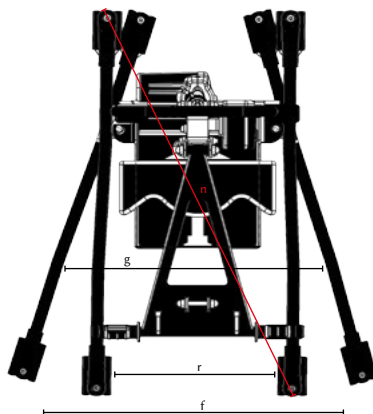
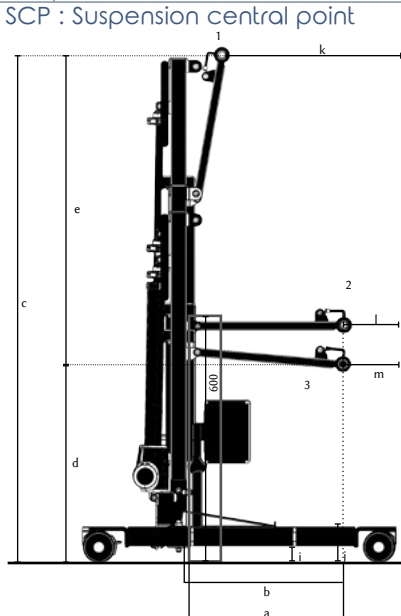
- Frame made in steel
- Laser cutting and bending sheet metal, tubes and profiles
- Epoxy baked painting
- Ball bearing castors
- Total weight : 43 kg
- Weight of the heaviest part - BASE : 7,5 kg
- Weight capacity : 150 kg
- Lifespan : 8 years (except electrical parts)



* SCP : Suspension central point

		Dimensions (in mm)
1	Highest Position	/
2	Maximal Reach Position	/
3	Minimal Reach Position	/
a	Maximal Reach at 600 mm	500
b	Maximal Reach at the Base	470
c	Maximal Height of the SCP	1620
d	Minimal Height of the SCP	690
e	Lifting Length	930
f	Maximal Internal Width	940
g	Internal Width at the Maximal Reach	770
h	Minimal internal Width	500
i	Minimal Distance from Floor	34
j	Base Height	110
k	Minimal Distance Between the Wall and the SCP at its Maximal Height	470
l	Minimal Distance Between the Wall and the SCP at its Maximal Reach	120
m	Minimal Distance Between the Wall and the SCP at its Maximal Height	130
n	Maximal Diameter	1110

** SCP : Suspension central point



Spare Parts

EASYLEV 2 WITH OPENING LEGS	
FRAME	
ESL-BRS	LIFTING ARM FOR EASYLEV
WP-FRN	LIFTING ARM GRIP HANDLES (set of 2)
AX-CTB	SHR BLOCK SHORT SUPPORT (without foam)
WP-MA5R	SUB-PATELLAR FOAM SUPPORT FOR STAND-UP LIFT
ESL-EP-RP3F	3 FUNCTIONS FOOTREST FOR EASYLEV OBL
ESL-STR	TRACTION SLING FOR EASYLEV (all models) AND NAUSILEV 3
ESL-GR	BEARING ROLLER FOR EASYLEV (all models)
WP-ADAD2	NON-SKID (2 batches of 2 pieces, 2 right and 2 left)
WP-EP-PORCN	RIGHT FOOT EASYLEV-OBL AND WAYUP-OBL FOR BLACK CASTORS
WP-EP-PORCN	LEFT FOOT EASYLEV-OBL AND WAYUP-OBL FOR BLACK CASTORS
WP-EP	SPREADING LEGS-SYSTEM SET FOR WAYUP-OBL, EASYLEV-OBL AND FLYSPART (without foot pedal)
KIT-ERE	ELECTRICAL OPENING BASE LEGS COMPLETE SET (3 metallic pieces, without rod, without actuator)
WP-EP-PD	FOOT PEDAL WAYUP-OBL, EASYLEV-OBL AND FLYSPART
ESL-EP-FMB	BASE FOR EASYLEV OBL
WP-RNFRD100	BLACK TWIN CASTORS WITH RED BRAKE DIAMETER 100mm (ball bearing)
WP-RIND100	BLACK TWIN CASTORS DIAMETER 100mm (ball bearing)
WP-RNFRD75	BLACK TWIN CASTORS WITH RED BRAKE DIAMETER 75mm (ball bearing) -OPTION-
WP-RIND75	BLACK TWIN CASTORS DIAMETER 75mm (ball bearing) -OPTION-
WP-BFGA9006	GREY SPRAY PAINT "ALUMINIUM 9006"
WP-BPBA	BLUE ATLANTIC SPRAY PAINT
WP-VSAB006	ALUMINIUM GREY 9006 STICKER PAINT
WP-VBA	BLUE ATLANTIC STICKER PAINT
WP-AG-SLK	WADENBAND - UNIVERSAL LEG STRAP
MOTORIZATION FOR 2 ACTUATORS (electrical opening legs) BEFORE ESL2ECP-327	
VS-TCM-ECP	4 FUNCTIONS REMOTE CONTROL
VS-CRTL	REMOTE CONTROL HOOK
VS-AMTL	MAGNET FOR REMOTE CONTROL
VS-TCM-ECP-FA	4 FUNCTIONS REMOTE CONTROL ADHESIVE FRONTAGE
VS-BCAM	REMOVABLE BATTERY PACK (with 2 internal batteries 5A/12V) WITH LOAD DISPLAY AND BALANCING
F3-BT2IN	SET OF 2 INTERNAL BATTERIES 5A/12V
BAT-LI	INTERNAL LITHIUM BATTERY 5A / 24v
VS-BCAM-LI	LITHIUM BATTERY PACK WITH DISPLAY
VS-BCAM-KCRT	2 ELECTRONIC BOARDS SET (display and balancing) FOR BATTERY PACK VS-BCAM
VS-BCAM-KFCF	CONNECTION KIT WITH FUSES FOR BATTERY PACK VS-BCAM OU VS-BCAM-SMP
FUS-5-20-200MA	INTERNAL DELAY FUSE 5X20-200MA (set of 5)
FUS-5-20-1A	INTERNAL DELAY FUSE 5 x 20-1A 250 v (set of 5)
VS-BCAM-CAR	BATTERY PACK COMPLETE CASING
VS-BCAM-FAE	BATTERY PACK ADHESIVE FRONTAGE DISPLAY FOR VS-BCAM
VS-BCAM-CR	BATTERY PACK HOOK FASTENING
VS-BCC-ECP	4 FUNCTIONS CONTROL BOX (without battery pack)
VS-BCC-CCC	CONTROL BOARD WITH LOADING SYSTEM FOR 2 FUNCTIONS CONTROL BOX
VS-BCC-BA-ECP	CONTROL BOARD WITH DISPLAY AND CONTROL BUTTONS FOR 4 FUNCTIONS CONTROL BOX VS-BCC-ECP
VS-KCNF	CONNECTION KIT WITH FUSES FOR CONTROL BOARD VS-BCC-CCC AND VS-BCC-CCC-ECP
VS-BAUR	COMPLETE EMERGENCY STOP BUTTON
VS-BCH	CONTROL BOX POWER CORD INPUT PLUG
VS-CRD	POWER CORD
VS-ERL	POWER CORD REWINDER HOOK (set of 2)
VSNLV-VRN	3000 N ACTUATOR LIFTING STROKE 490mm
VS-VRN-CHT	HEAD SCREED FOR ACTUATOR WITH EMERGENCY LOWERING SYSTEM (all models)
VS-NLVRN-CEMB	LIFTING ACTUATOR BASE SCREED FOR EASYLEV AND NAUSILEV
VS-VRN-8-CAR	8000N (all models) AND 3000N (VSNLV-VRN) LIFTING ACTUATORS COMPLETE CASING
VS-VRN-KBRP	EMERGENCY LOWERING SYSTEM 2 RED BUTTONS SET (all models)
VS-VRN-DM-CAR	COMPLETE CONTINUED EMERGENCY LOWERING SYSTEM CASING FOR ACTUATOR (all models)
VS-VRN-DMC	COMPLETE CONTINUED EMERGENCY LOWERING SYSTEM FOR ACTUATOR (without the screed)
VS-VRN-6-8-CRD	6000N AND 8000N LIFTING ACTUATORS CORD (all models)
VSVRN-ECP3	3000N OPENING BASE LEGS GREY ACTUATOR
VS-VRN-ECP3-CHT	3000N OPENING BASE LEGS GREY ACTUATOR HEAD SCREED
VS-VRN-ECP3-CEMB	3000N OPENING BASE LEGS GREY ACTUATOR BASE SCREED
VSVRN-ECP3-CRD	3000N OPENING BASE LEGS GREY ACTUATOR CORD
VS-CMB	WALL CHARGER FOR BATTERY PACK
MOTORIZATION VEBOX 3 FOR 2 ACTUATORS (electrical opening legs) STARTING FROM ESL2ECP-327	
VS-TCM3-ECP	4 FUNCTIONS REMOTE CONTROL FOR VEBOX 3
VS-TCM3-CCC-ECP	CONTROL BOARD FOR 4 FUNCTIONS REMOTE CONTROL FOR VEBOX 3
VS-TCM3-CRD-ECP	CORD FOR 4 FUNCTIONS REMOTE CONTROL FOR VEBOX 3
VS-AMTL	MAGNET FOR REMOTE CONTROL
VS-CRTL	REMOTE CONTROL HOOK
VS-TCM3-ECP-FA	FRONT LABEL FOR REMOTE CONTROL 4 FUNCTIONS FOR VEBOX 3
VS-BCAM	REMOVABLE BATTERY PACK (with 2 internal batteries 5A/12V) WITH LOAD DISPLAY AND BALANCING
F3-BT2IN	SET OF 2 INTERNAL BATTERIES 5A/12V
BAT-LI	INTERNAL LITHIUM BATTERY 5A / 24v
VS-BCAM-LI	LITHIUM BATTERY PACK WITH DISPLAY
VS-BCAM-KCRT	2 ELECTRONIC BOARDS SET (display and balancing) FOR BATTERY PACK VS-BCAM
VS-BCAM-KFCF	CONNECTION KIT WITH FUSES FOR BATTERY PACK VS-BCAM OU VS-BCAM-SMP
FUS-5-20-200MA	INTERNAL DELAY FUSE 5X20-200MA (set of 5)
FUS-5-20-1A	INTERNAL DELAY FUSE 5 x 20-1A 250 v (set of 5)
VS-BCAM-CAR	BATTERY PACK COMPLETE CASING
VS-BCAM-FAE	BATTERY PACK ADHESIVE FRONTAGE DISPLAY FOR VS-BCAM
VS-BCAM-CR	BATTERY PACK HOOK FASTENING
VS-BCC3-ECP	CONTROL BOX VEBOX 3 4 FUNCTIONS
VS-BCC3-CCC-ECP	CONTROL BOARD FOR VEBOX 3 4 FUNCTIONS
VS-BCC3-BA	CONTROL BOARD WITH DISPLAY FOR VEBOX 3 2 FUNCTIONS
VS-KCNF	CONNECTION KIT WITH FUSES FOR CONTROL BOARD VS-BCC-CCC AND VS-BCC-CCC-ECP
VS-BAUR	COMPLETE EMERGENCY STOP BUTTON
VS-BCH	CONTROL BOX POWER CORD INPUT PLUG
VS-CRD	POWER CORD
VS-ERL	POWER CORD REWINDER HOOK (set of 2)
VSNLV-VRN	3000 N ACTUATOR LIFTING STROKE 490mm
VS-VRN-CHT	HEAD SCREED FOR ACTUATOR WITH EMERGENCY LOWERING SYSTEM (all models)
VS-NLVRN-CEMB	LIFTING ACTUATOR BASE SCREED FOR EASYLEV AND NAUSILEV
VS-VRN-8-CAR	8000N (all models) AND 3000N (VSNLV-VRN) LIFTING ACTUATORS COMPLETE CASING
VS-VRN-KBRP	EMERGENCY LOWERING SYSTEM 2 RED BUTTONS SET (all models)
VS-VRN-DM-CAR	COMPLETE CONTINUED EMERGENCY LOWERING SYSTEM CASING FOR ACTUATOR (all models)
VS-VRN-DMC	COMPLETE CONTINUED EMERGENCY LOWERING SYSTEM FOR ACTUATOR (without the screed)
VS-VRN-6-8-CRD	6000N AND 8000N LIFTING ACTUATORS CORD (all models)
VSVRN-ECP3	3000N OPENING BASE LEGS GREY ACTUATOR
VS-VRN-ECP3-CHT	3000N OPENING BASE LEGS GREY ACTUATOR HEAD SCREED
VS-VRN-ECP3-CEMB	3000N OPENING BASE LEGS GREY ACTUATOR BASE SCREED
VSVRN-ECP3-CRD	3000N OPENING BASE LEGS GREY ACTUATOR CORD
VS-CMB	WALL CHARGER FOR BATTERY PACK

Cleaning & Maintenance

BEFORE ANY HANDLING:

- Disconnect the AC power cord.
- Check that all electrical components are connected to each other.
- Clean electrical enclosures of the actuators and of the handsets, if they have been soiled by body fluids, especially urine.

OBJECTIVE:

- Repair the stand-up lift and prevent the transmission of germs from one patient to another.
- Remove any organic soil by mechanical action (cleansing) or chemical action (disinfection).

CLEANING PROCESS:

- Clean the surfaces with a wet cloth by using an appropriate detergent.
- A regular cleaning is recommended.

WARNING:

- The detergents used must have a neutral pH.
- Avoid the abrasive products and solvent, they could damage the device surface state.

DAILY MAINTENANCE:

- By means of a product applied on the surface in one operation.
- After the patient's discharge by respecting the following operation:
 - Cleaning is carried out by means of a cloth impregnated with a disinfectant solution surface.
 - Maintenance by specific service providers after removal of the stand-up lift from the facility:
 - Biological cleaning operation
 - Steam cleaning of various flat surfaces. Change surfaces regularly when washing to avoid water load. Steam cleaning of inaccessible areas. For tubes, steam use with a microfiber mop. Do not direct steam directly on the electrical boxes.

CAUTION:

- Disinfection of actuators, electrical boxes and handsets with a microfiber cloth impregnated with disinfectant.

MONTHLY MAINTENANCE:

- Check that the device does not present any visible damages.
- Check that no part is missing.
- Check the good functioning of the castors and that no matter prevents their bearing.
- Check the good functioning of the commands as well as the connections of the remote control and the actuator on the battery.
- Clean the sockets and the commands buttons with a dry cloth, if needed with a wet cloth.
- Check the good state of the electric cables.

Never clean the stand-up lift, especially the electrical system, with a high pressure cleaner, water hose or similar because doing so could damage the surfaces and seals, and water could enter.

Motorisation Technicals Characteristics

- Removable battery pack
- Digital display of the autonomy
- Emergency stop
- Electrical security lowering system
- Wall charger (in option)
- Remote control 4 functions
- Conform to Standard EN 60601-1
- DC motor low voltage 24V
- 24V / 120VA power
- Maximum strength : 3000 N
- Electrical opening actuator power : 3000 N
- Lifting stroke : 49 cm
- Electronic protection when overloaded
- Protection class : II
- Protections types :
 - Remote control: IP65
 - Control box: IP54
 - Battery pack: IP65
 - Actuator: IP54
- Stop limit switch
- Box in ABS
- Handcontrol with spiral cable, low voltage 24V
- Protection against overloading through thermo-switch
- Loudness : less than 55dB at a distance of 1 meter.
- Electromagnetic compatibility : conforms to EN 60601-1-2



Device
class II



Battery Charging Diagram :



Motorisation Technicals Characteristics

BEFORE SERIAL NUMBER ESL2ECP-273

Cycle counter :

We have a time counter of 600,000 secondes. If we consider that the actuator makes full strokes at an average speed of 9 mm/s that represents approximately 10,000 full cycles.

To check the number of cycles already performed, you must use the remote control 2 buttons:

- Press the 2 buttons at the same time.

The indication of the number of cycles performed is indicated by the digits, the indication remains displayed for about 3 seconds.

- If no digit is displayed the number of cycles performed is less than 150, 000 sec.

- If one digit appears the jack has been used for 150, 000 sec or 25% of the maximum time.

- If 2-digit appear, the actuator was used for 300, 000 sec or 50% of the maximum time.

- If 3 digits appear, the actuator was used for 450, 000 sec or 75% of the maximum time.

- If 4 digits appear, the actuator was used for 600, 000 sec or 100% of his time and the maximum box no longer work.

This counter work with time and not cycle because usual cycles counter count when you push on a remote control button. The problem with this type of counter is when you push 5 times on one cycle, It'll count 5 cycles. The time counter is more accurate and after 10 000 full cycles the actuator need to be checked by the manufacturer.

- After 10,000 complete cycles, a key appears on the screen and the actuator must be checked.



Overload protection system :

• If you attempt to lift a person weighing beyond the maximum limit of the device, an anvil with "kg" written will appear asking you to immediately relieve the unit because it is a non-conform use.

Preservation system of the actuator :

• An integrated system for maintaining the actuator is included in the control box. It corresponds to a ratio between the operating time and the rest time of the actuator.

• For 10% of usage time, it takes 90% of sleep time.

• For 6 minutes of continuous use, you must wait 54 minutes before you could reuse the device.

If this period is not respected, the device will not work and a jack will be displayed on the screen. When this cycle is exceeded, there is a risk from overheating the equipment and cause a failure.



Soft stop and soft start Actuator Programming :

Push on the Emergency stop button

Push on button 1 and turn off the emergency stop button

The Control box Green led is flashing :

-3 times, Soft stop and soft start available

-2 times, Soft stop and soft start unavailable

Release button 1 on the handset after cessation of the green LED.



A. LCM DISPLAY

0. Information display

- To view the information registered in the control box, you must press the up and down buttons of the box for 5 seconds.

1. Operating factor

- Definition: It accounts for the actuator (up / down) any breach of the duty cycle = non-respect of the actuator rest.



2. Overloading of the actuator / a

- It counts the number of times an attempt to lift a person weighing beyond the maximum weight limit is performed. When it occurs, the actuator will stop and an anvil will appear, it will be impossible to continue.



3. Overloading of the actuator / b

- It counts the number of times an attempt to spread or close the opening legs while they are stuck is performed. When it occurs, the actuator will stop and an anvil will appear, it will be impossible to continue.



4. Incomplete load

- It records all incomplete loads below 24,6V. This corresponds to the number of charges damaging the battery.



5. Time of use

- Definition: It displays the cumulative operating time of the device. Starting from 600,000 seconds of use, a maintenance key is displayed; it is then essential to carry out a complete control of the device.



Troubleshooting Guide

Problem	Origin	Solutions
The product, without patient, does not go down.	Our products need some weight to go down.	Push down on the lifting arm while pushing the lowering button on the remote control.
Mobile parts are too hard, product is difficult to handle.	Mobile parts need to be greased.	Grease the mobile parts.
The actuator does not work but the user can hear a "click" in the control box when the remote control button is pushed.	<ol style="list-style-type: none"> 1 . Batteries are unloaded. 2 . The actuator jack is not plugged. 3 . The actuator jack is deteriorated. 4 . There are damages on the actuator or on the control box. 	<ol style="list-style-type: none"> 1 . Load the device. 2 . Plug the actuator jack. 3 . The actuator has to be repaired. 4 . The entire electric system has to be checked.
The actuator does not work and the user does not hear a "click" in the control box when the remote control button is pushed.	<ol style="list-style-type: none"> 1 . Emergency button is activated. 2 . There is no contact between the battery and the control box. 3 . Batteries are unloaded. 4 . The remote control jack is not plugged. 5 . The remote control jack is deteriorated. 6 . There are damages on the remote control or on the control box. 	<ol style="list-style-type: none"> 1 . Turn the button to unlock the device. 2 . Take off the battery and put it back. 3 . Check the charging cord. 4 . Plug the remote control. 5 . Change the remote control. 6 . The entire electric system has to be checked.
The actuator stops when lifting.	<ol style="list-style-type: none"> 1 . Batteries are unloaded (sound system + "low battery" written on the screen). 2 . The product has been used for too long. 3 . The weight lifted is too heavy. 	<ol style="list-style-type: none"> 1 . Check the charging cord then load battery. 2 . Let the device rest a moment (as a protection for the actuator lifespan). 3 . Reduce the weight lifted.
The actuator does not work at all	<ol style="list-style-type: none"> 1 . The control box is broken down. 2 . The remote control is broken down. 	<ol style="list-style-type: none"> 1 . The control box has to be changed. 2 . The remote control has to be changed.

Warranty

• Article 1 : NAUSICAA Médical S.A.S. warrants this product against any defects in manufacturing and assembly of mechanical and electronic components. This warranty is for devices used only in accordance with NAUSICAA Médical S.A.S. terms of use.

The warranty covers all mechanical and electrical parts, except battery and breakage. This warranty whose terms of use are defined below is valid for 60 months from the date of first departure from NAUSICAA Médical S.A.S.

• Article 2 : The warranty entitles the free labor and the free replacement of defective parts.

• Article 3 : The original out-going shipping costs of the device and all associated costs are the responsibility of the distributor. The goods always travel at the risk and the responsibility of the distributor.

Under warranty : return costs after intervention will be borne by NAUSICAA Médical S.A.S.

Out of warranty: return costs are at the expense of the distributor whether or not he accepts the repair estimate.

• Article 4 : The warranty does not apply if the claims are consecutive to:

- accident, misuse or neglect of the unit by the end customer.

- shipping performed without adequate protection.

- alteration or transformation not validated by NAUSICAA Médical S.A.S.

- the impact of external elements (natural disaster, fire, shock, humidity, flood, lightning, ...).

- installation and/or use in a non-compliant way with technical standards and safety (in case the unit would work in a country other than the country of origin) ; and/or if the electrical power is not suited for the operating voltage of the device.

- a lack of routine maintenance.

• Article 5 : The distributor may not invoke the benefit of the warranty:

- if the device serial number has been removed, altered or rendered illegible.

- if the device under warranty has been modified without the approval of NAUSICAA Médical S.A.S.

• Article 6 : During the repair of any defective equipment, no loan will be made.

• Article 7 : All warranty claims must be exercised through the distributor.

• Article 8 : Sending spare parts under warranty will be made after consultation with the distributor customer service.

• Article 9 : Defective parts changed under or out of warranty will be guaranteed for 6 months from the date of repair or sending of the spare parts.

• Article 10 : No distributor can unilaterally change the terms of this warranty.

NAUSICAA Medical

CONTACT

Phone: +33 (0) 466 717 184

Fax: +33 (0) 466 532 305

Email: export@nausicaa-medical.com

Website: www.nausicaa-medical.eu

Manufactured by NAUSICAA Médical S.A.S.



NAUSICAA
Medical

12 Allée du Plot - ZA Pôle Actif
30660 Gallargues le Montueux
FRANCE